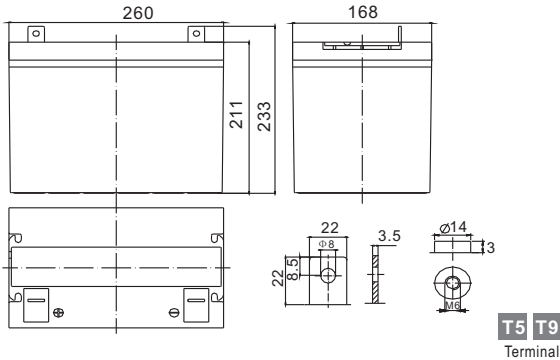


Standard Series LFP1270 12V70Ah

FirstPower®

Dimension



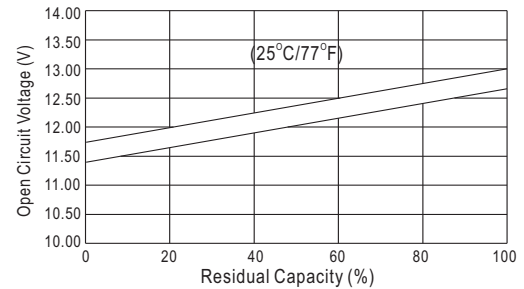
Specification

| | | |
|----------------------|---------------------|---------------------------------|
| Nominal Voltage | | 12 V |
| Capacity(10HR, 25°C) | | 70Ah |
| Dimension | Length | 260mm (10.2inch) |
| | Width | 168mm (6.6inch) |
| | Height | 211mm (8.3inch) |
| | Total Height(T5/T9) | 233mm (9.2inch)/214mm (8.4inch) |
| Approx. Weight | | 22.2kg (49.0lbs) |

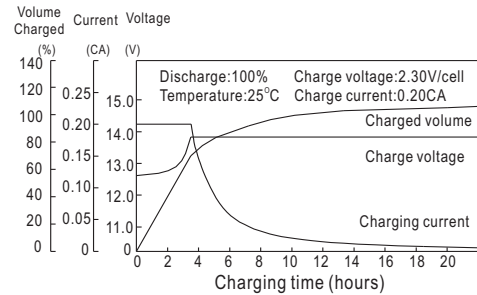
Characteristics

| | | |
|--|--------------|-------------------------|
| Capacity 20°C (68°F) To 1.70V/Cell | 20 hour rate | 74Ah |
| | 10 hour rate | 70Ah |
| | 5 hour rate | 63Ah |
| | 1 hour rate | 42.3Ah |
| | 15 min rate | 27.8Ah |
| Internal resistance(Fully charged, 25°C) | | Approx.5.5m Ω |
| Capacity affected by temperature (10HR) | 40°C | 102% |
| | 25°C | 100% |
| | 0°C | 85% |
| | -15°C | 65% |
| Self-discharge (25°C) | 3 month | Remaining Capacity: 91% |
| | 6 month | Remaining Capacity: 82% |
| | 12 month | Remaining Capacity: 65% |
| Nominal operating temperature | | 25°C ±3°C(77°F ±5°F) |
| Operating temperature range | | -15°C~50°C(5°F~122°F) |
| Float charging voltage(25°C) | | 13.50 to 13.80V |
| Cyclic charging voltage(25°C) | | 14.50 to 14.90V |
| Maximum charging current | | 21A |
| Terminal material | | Copper |
| Maximum discharge current | | 700A(5 Sec.) |

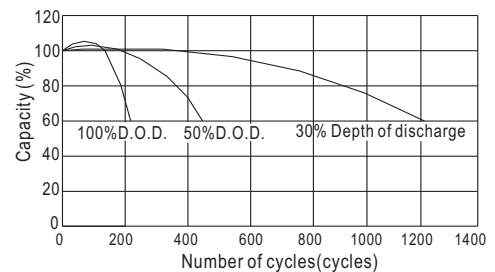
The Relationship for Open Circuit Voltage and Residual Capacity (25°C)



Charging Characteristics(25°C)



Cycle Life(25°C)



Constant Current Discharge Characteristics (A, 25°C)

| F.V/TIME | 5min | 10min | 15min | 30min | 60min | 3h | 5h | 10h | 20h |
|----------|------|-------|-------|-------|-------|------|------|------|------|
| 9.60V | 221 | 147 | 116 | 72.8 | 44.1 | 18.1 | 12.8 | 7.11 | 3.73 |
| 10.2V | 209 | 140 | 111 | 69.9 | 42.3 | 17.9 | 12.6 | 7.04 | 3.70 |
| 10.8V | 197 | 131 | 105 | 66.4 | 40.2 | 17.5 | 12.3 | 7.00 | 3.68 |

Constant Power Discharge Characteristics (Watt, 25°C)

| 5min | 10min | 15min | 30min | 60min | 3h | 5h | 10h | 20h |
|------|-------|-------|-------|-------|-----|-----|------|------|
| 2315 | 1588 | 1268 | 817 | 503 | 213 | 151 | 84.8 | 44.8 |
| 2199 | 1508 | 1217 | 784 | 483 | 210 | 149 | 84.1 | 44.4 |
| 2068 | 1418 | 1157 | 745 | 458 | 206 | 146 | 84.1 | 44.1 |