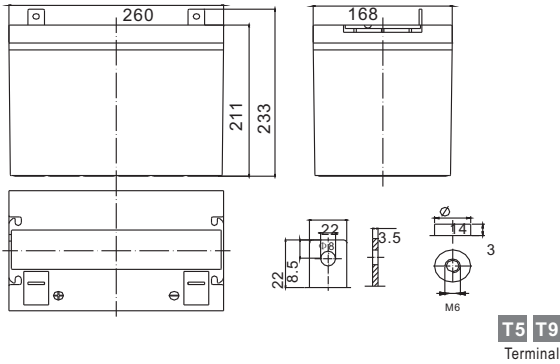


# Standard Series LFP1280A 12V80Ah

**FirstPower®**

## Dimension



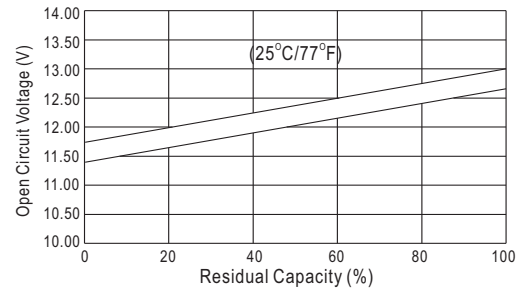
## Specification

|                      |                     |                                 |
|----------------------|---------------------|---------------------------------|
| Nominal Voltage      | 12 V                |                                 |
| Capacity(10HR, 25°C) | 80Ah                |                                 |
| Dimension            | Length              | 260mm (10.2inch)                |
|                      | Width               | 168mm (6.6inch)                 |
|                      | Height              | 211mm (8.3inch)                 |
|                      | Total Height(T5/T9) | 233mm (9.2inch)/214mm (8.4inch) |
| Approx. Weight       | 24kg (52.9lbs)      |                                 |

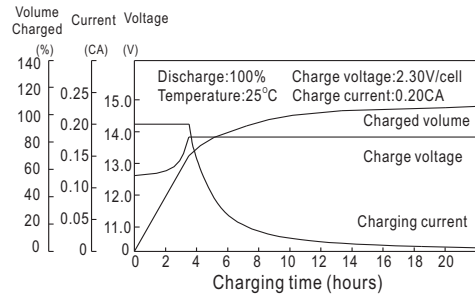
## Characteristics

|  |                       |                         |
|--|-----------------------|-------------------------|
| Capacity 20°C<br>(68□) To<br>1.70V/Cell  | 20 hour rate          | 84.6Ah                  |
|  | 10 hour rate          | 80Ah                    |
|  | 5 hour rate           | 72Ah                    |
|  | 1 hour rate           | 49.9Ah                  |
|  | 15 min rate           | 32.5Ah                  |
| Internal resistance(Fully charged, 25°C) | Approx.5.4m Ω         |                         |
| Capacity affected by temperature (10HR)  | 40°C                  | 102%                    |
|  | 25°C                  | 100%                    |
|  | 0°C                   | 85%                     |
|  | -15°C                 | 65%                     |
| Self-discharge (25°C)                    | 3 month               | Remaining Capacity: 91% |
|  | 6 month               | Remaining Capacity: 82% |
|  | 12 month              | Remaining Capacity: 65% |
| Nominal operating temperature            | 25°C ±3°C(77°F ±5°F)  |                         |
| Operating temperature range              | -15°C~50°C(5°F~122°F) |                         |
| Float charging voltage(25°C)             | 13.50 to 13.80V       |                         |
| Cyclic charging voltage(25°C)            | 14.50 to 14.90V       |                         |
| Maximum charging current                 | 24A                   |                         |
| Terminal material                        | Copper                |                         |
| Maximum discharge current                | 800A(5 Sec.)          |                         |

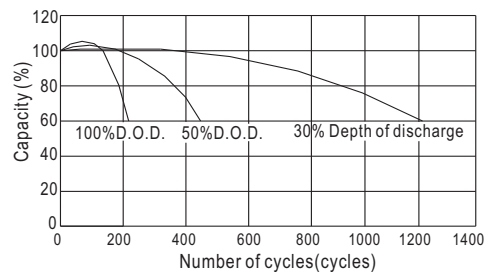
## The Relationship for Open Circuit Voltage and Residual Capacity (25°C)



## Charging Characteristics(25°C)



## Cycle Life(25°C)



## Constant Current Discharge Characteristics (A, 25°C)

| F.V/TIME | 5min | 10min | 15min | 30min | 60min | 3h   | 5h   | 10h  | 20h  |
|----------|------|-------|-------|-------|-------|------|------|------|------|
| 9.60V    | 256  | 175   | 135   | 84.0  | 52.0  | 20.3 | 14.6 | 8.12 | 4.26 |
| 10.2V    | 243  | 166   | 130   | 80.6  | 49.9  | 20.0 | 14.4 | 8.08 | 4.23 |
| 10.8V    | 229  | 156   | 123   | 76.6  | 47.4  | 19.6 | 14.1 | 8.00 | 4.20 |

## Constant Power Discharge Characteristics (Watt, 25°C)

| 5min | 10min | 15min | 30min | 60min | 3h  | 5h  | 10h  | 20h  |
|------|-------|-------|-------|-------|-----|-----|------|------|
| 2688 | 1890  | 1482  | 942   | 593   | 239 | 173 | 97.0 | 51.1 |
| 2554 | 1796  | 1423  | 905   | 569   | 235 | 170 | 96.5 | 50.8 |
| 2400 | 1688  | 1352  | 860   | 541   | 230 | 167 | 95.5 | 50.4 |