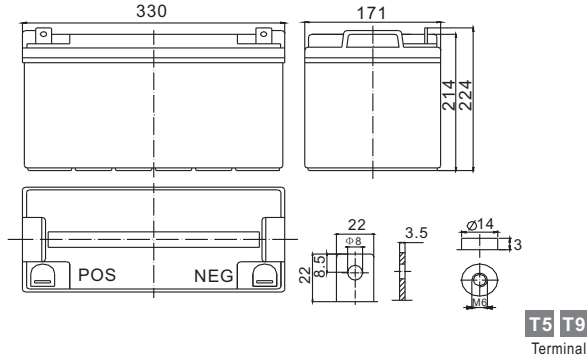


# Standard Series LFP1290A 12V90Ah

**FirstPower®**

## Dimension



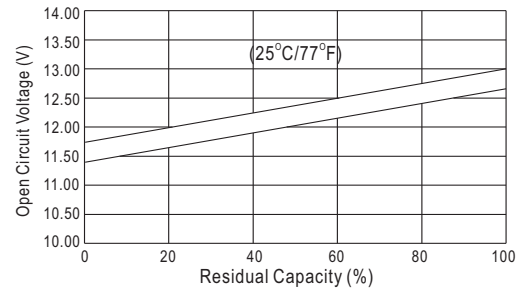
## Specification

Nominal Voltage		12 V
Capacity(10HR, 25°C)		90Ah
Dimension	Length	330mm (13.0inch)
	Width	171mm (6.7inch)
	Height	214mm (8.4inch)
	Total Height(T5/T9)	224mm (8.8inch)/220mm (8.7inch)
Approx. Weight		27kg (59.5lbs)

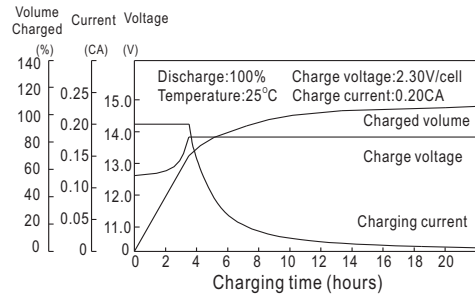
## Characteristics

Capacity 20°C (68□) To 1.70V/Cell	20 hour rate	94.6Ah
	10 hour rate	90Ah
	5 hour rate	81Ah
	1 hour rate	53.8Ah
	15 min rate	34.8Ah
Internal resistance(Fully charged, 25°C)		Approx.5m Ω
Capacity affected by temperature (10HR)	40°C	102%
	25°C	100%
	0°C	85%
	-15°C	65%
Self-discharge (25°C)	3 month	Remaining Capacity: 91%
	6 month	Remaining Capacity: 82%
	12 month	Remaining Capacity: 65%
Nominal operating temperature		25°C ±3°C(77°F ±5°F)
Operating temperature range		-15°C~50°C(5°F~122°F)
Float charging voltage(25°C)		13.50 to 13.80V
Cyclic charging voltage(25°C)		14.50 to 14.90V
Maximum charging current		27A
Terminal material		Copper
Maximum discharge current		800A(5 Sec.)

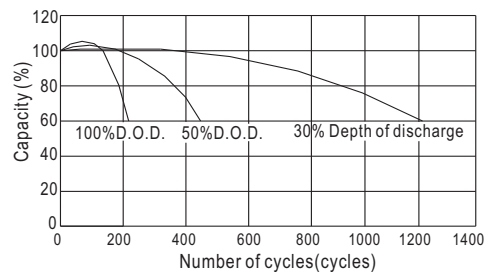
## The Relationship for Open Circuit Voltage and Residual Capacity (25°C)



## Charging Characteristics(25°C)



## Cycle Life(25°C)



## Constant Current Discharge Characteristics (A, 25°C)

F.V/TIME	5min	10min	15min	30min	60min	3h	5h	10h	20h
9.60V	280	188	145	95.0	56.0	22.8	16.4	9.14	4.77
10.2V	266	179	139	91.2	53.8	22.5	16.2	9.05	4.73
10.8V	250	168	132	86.6	51.1	22.1	15.9	9.00	4.70

## Constant Power Discharge Characteristics (Watt, 25°C)

5min	10min	15min	30min	60min	3h	5h	10h	20h
2940	2030	1592	1066	638	269	194	109	57.2
2793	1929	1528	1023	613	265	191	108	56.7
2625	1813	1452	972	582	259	188	108	56.4