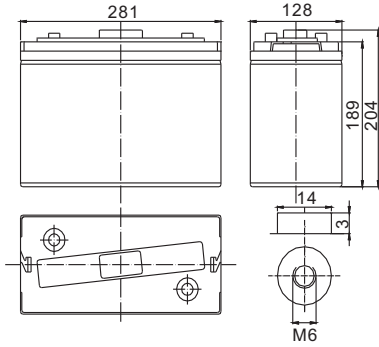


# Standard Series LFP6100A 6V100Ah

**FirstPower®**

## Dimension



**T11**  
Terminal

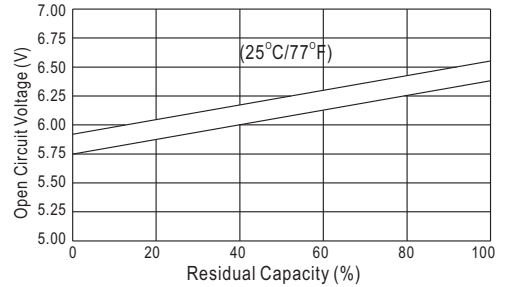
## Specification

Nominal Voltage		6 V
Capacity(10HR, 25°C)		100 Ah
Dimension	Length	281mm (11.1inch)
	Width	128mm (5.0inch)
	Height	189mm (7.4inch)
	Total Height	204mm (8.0inch)
Approx. Weight		16kg (39.7lbs)

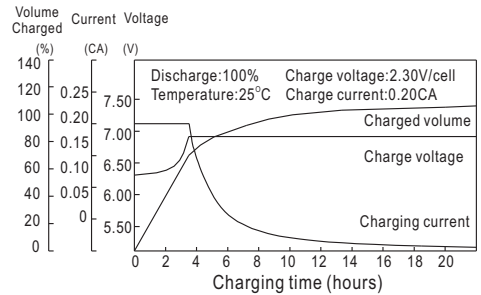
## Characteristics

Capacity 20°C (68□) To 1.70V/Cell	20 hour rate	107Ah
	10 hour rate	100Ah
	5 hour rate	92.5Ah
	1 hour rate	62.4Ah
	15 min rate	42
Internal resistance(Fully charged, 25°C)		Approx. 3.5m Ω
Capacity affected by temperature (10HR)	40°C	102%
	25°C	100%
	0°C	85%
	-15°C	65%
Self-discharge (25°C)	3 month	Remaining Capacity: 91%
	6 month	Remaining Capacity: 82%
	12 month	Remaining Capacity: 65%
Nominal operating temperature		25°C ±3°C(77°F ±5°F)
Operating temperature range		-15°C~50°C(5°F~122°F)
Float charging voltage(25°C)		6.75 to 6.90V
Cyclic charging voltage(25°C)		7.25 to 7.45V
Maximum charging current		30A
Terminal material		Copper
Maximum discharge current		800A(5 Sec.)

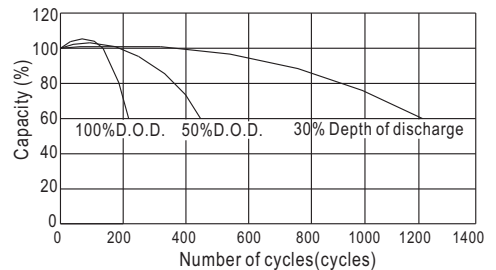
## The Relationship for Open Circuit Voltage and Residual Capacity (25°C)



## Charging Characteristics(25°C)



## Cycle Life(25°C)



## Constant Current Discharge Characteristics (A, 25°C)

F.V/TIME	5min	10min	15min	30min	60min	3h	5h	10h	20h
4.80V	320	220	175	108	65.0	26.4	18.5	10.3	5.35
5.10V	304	209	168	104	62.4	26.0	18.2	10.2	5.35
5.40V	286	196	160	98.8	59.3	25.5	17.8	10.0	5.30

## Constant Power Discharge Characteristics (Watt, 25°C)

5min	10min	15min	30min	60min	3h	5h	10h	20h
1680	1188	961	606	370	155	109	62.0	32.1
1596	1129	923	584	355	153	107	61.0	32.1
1502	1059	879	555	338	150	105	60.0	31.8