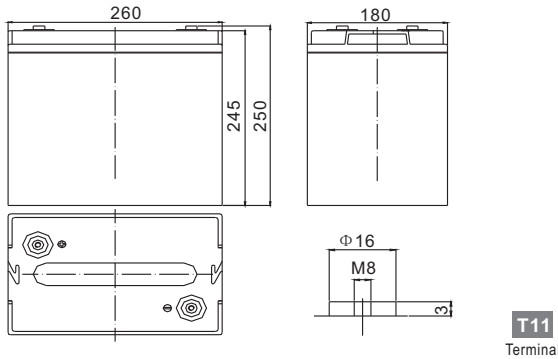


# Standard Series LFP6150 6V150Ah

**FirstPower®**

## Dimension(mm)



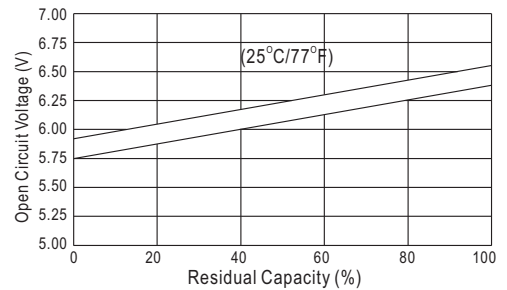
## Specification

Nominal Voltage		6 V
Capacity(10HR, 25°C)		150 Ah
Dimension	Length	260mm (10.2inch)
	Width	180mm (7.1inch)
	Height	245mm (9.6inch)
	Total Height	250mm (9.8inch)
Approx. Weight		23.5kg (51.8lbs)

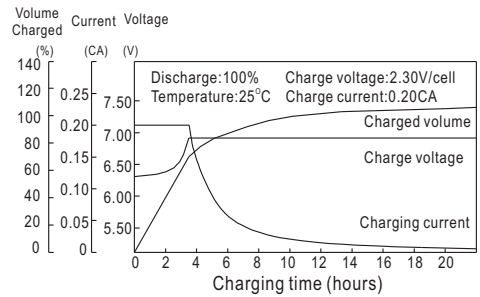
## Characteristics

Capacity 20°C (68□) To 1.70V/Cell	20 hour rate	158Ah
	10 hour rate	150Ah
	5 hour rate	135Ah
	1 hour rate	90.7Ah
	15 min rate	60Ah
Internal resistance(Fully charged, 25°C)		Approx. 3.3m Ω
Capacity affected by temperature (10HR)	40°C	102%
	25°C	100%
	0°C	85%
	-15°C	65%
Self-discharge (25°C)	3 month	Remaining Capacity: 91%
	6 month	Remaining Capacity: 82%
	12 month	Remaining Capacity: 65%
Nominal operating temperature		25°C ±3°C(77°F ±5°F)
Operating temperature range		-15°C~50°C(5°F~122°F)
Float charging voltage(25°C)		6.75 to 6.90V
Cyclic charging voltage(25°C)		7.25 to 7.45V
Maximum charging current		45A
Terminal material		Copper
Maximum discharge current		1200A(5 Sec.)

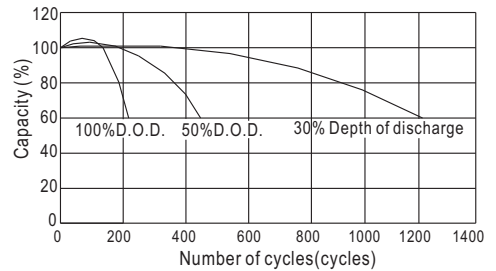
## The Relationship for Open Circuit Voltage and Residual Capacity (25°C)



## Charging Characteristics(25°C)



## Cycle Life(25°C)



## Constant Current Discharge Characteristics (A, 25°C)

F.V/TIME	5min	10min	15min	30min	60min	3h	5h	10h	20h
4.80V	473	315	248	156	94.5	38.8	27.4	15.2	7.99
5.10V	449	299	238	150	90.7	38.3	27.0	15.1	7.92
5.40V	422	281	226	142	86.2	37.5	26.5	15.0	7.88

## Constant Power Discharge Characteristics (Watt, 25°C)

5min	10min	15min	30min	60min	3h	5h	10h	20h
2481	1701	1359	875	539	228	162	90.9	48.0
2357	1616	1304	840	517	225	160	90.1	47.5
2215	1519	1239	798	491	220	156	90.1	47.3