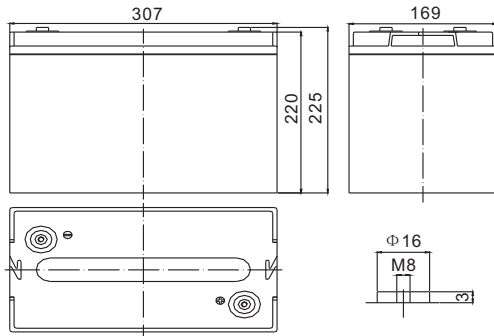


Standard Series LFP6180 6V180Ah

FirstPower®

Dimension



T11
Terminal



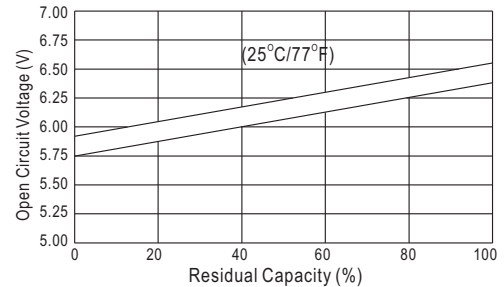
Specification

Nominal Voltage		6 V
Capacity(10HR, 25°C)		180 Ah
Dimension	Length	307mm (12.1inch)
	Width	169mm (6.7inch)
	Height	220mm (8.7inch)
	Total Height	225mm (8.9inch)
Approx. Weight		27kg (59.5bs)

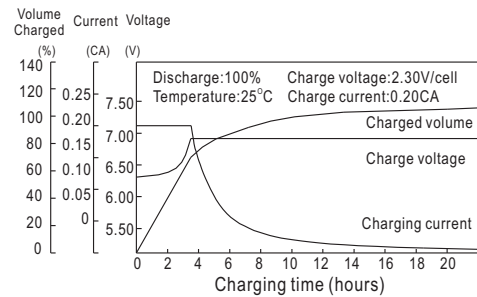
Characteristics

Capacity 20°C (68□) To 1.70V/Cell	20 hour rate	190Ah
	10 hour rate	180Ah
	5 hour rate	162Ah
	1 hour rate	109Ah
	15 min rate	60Ah
Internal resistance(Fully charged, 25°C)		Approx. 3.2mΩ
Capacity affected by temperature (10HR)	40°C	102%
	25°C	100%
	0°C	85%
	-15°C	65%
Self-discharge (25°C)	3 month	Remaining Capacity: 91%
	6 month	Remaining Capacity: 82%
	12 month	Remaining Capacity: 65%
Nominal operating temperature		25°C ±3°C(77°F ±5°F)
Operating temperature range		-15°C~50°C(5°F~122°F)
Float charging voltage(25°C)		6.75 to 6.90V
Cyclic charging voltage(25°C)		7.25 to 7.45V
Maximum charging current		54A
Terminal material		Copper
Maximum discharge current		1440A(5 Sec.)

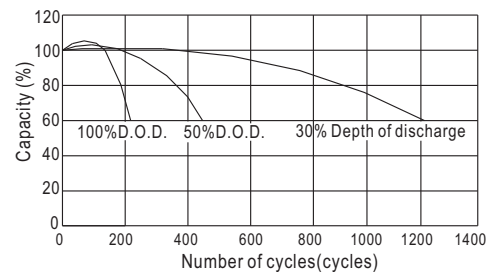
The Relationship for Open Circuit Voltage and Residual Capacity (25°C)



Charging Characteristics(25°C)



Cycle Life(25°C)



Constant Current Discharge Characteristics (A, 25°C)

F.V/TIME	5min	10min	15min	30min	60min	3h	5h	10h	20h
4.80V	567	378	297	187	113	46.6	32.9	18.3	9.59
5.10V	539	359	285	180	109	45.9	32.4	18.1	9.51
5.40V	506	338	271	171	103	45.0	31.8	18.0	9.45

Constant Power Discharge Characteristics (Watt, 25°C)

5min	10min	15min	30min	60min	3h	5h	10h	20h
2977	2041	1631	1050	647	274	195	109	57.6
2828	1939	1561	1008	621	270	192	108	57.0
2658	1823	1487	958	590	264	186	106	56.7