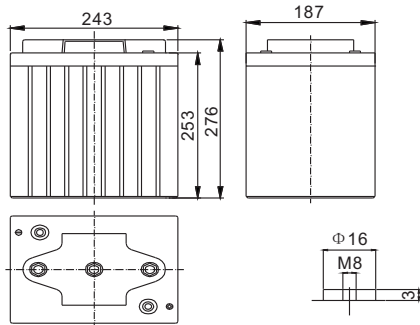


Standard Series LFP6190 6V190Ah

FirstPower®

Dimension



T11
Terminal

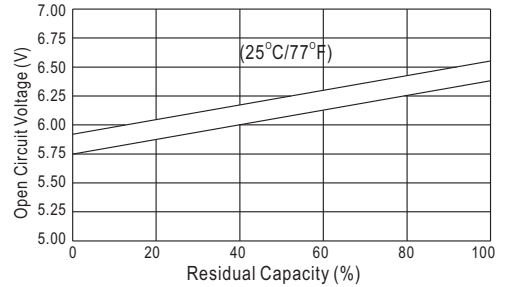
Specification

| | | |
|----------------------|--------------|------------------|
| Nominal Voltage | | 6 V |
| Capacity(10HR, 25°C) | | 190Ah |
| Dimension | Length | 243mm (9.6inch) |
| | Width | 187mm (7.4inch) |
| | Height | 253mm (10.0inch) |
| | Total Height | 276mm (10.9inch) |
| Approx. Weight | | 28.5kg (63.8lbs) |

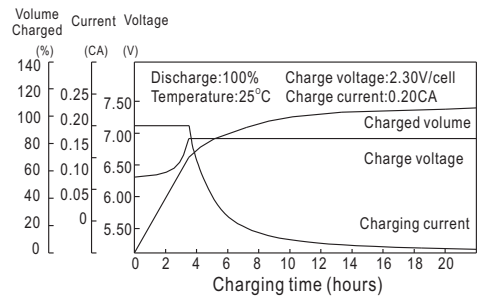
Characteristics

| | | |
|--|--------------|-------------------------|
| Capacity 20°C (68°F) To 1.70V/Cell | 20 hour rate | 200Ah |
| | 10 hour rate | 190Ah |
| | 5 hour rate | 171Ah |
| | 1 hour rate | 115Ah |
| | 15 min rate | 75.3Ah |
| Internal resistance(Fully charged, 25°C) | | Approx.3.2mΩ |
| Capacity affected by temperature (10HR) | 40°C | 102% |
| | 25°C | 100% |
| | 0°C | 85% |
| | -15°C | 65% |
| Self-discharge (25°C) | 3 month | Remaining Capacity: 91% |
| | 6 month | Remaining Capacity: 82% |
| | 12 month | Remaining Capacity: 65% |
| Nominal operating temperature | | 25°C ±3°C(77°F ±5°F) |
| Operating temperature range | | -15°C~50°C(5°F~122°F) |
| Float charging voltage(25°C) | | 6.75 to 6.90V |
| Cyclic charging voltage(25°C) | | 7.25 to 7.45V |
| Maximum charging current | | 57A |
| Terminal material | | Copper |
| Maximum discharge current | | 1520A(5 Sec.) |

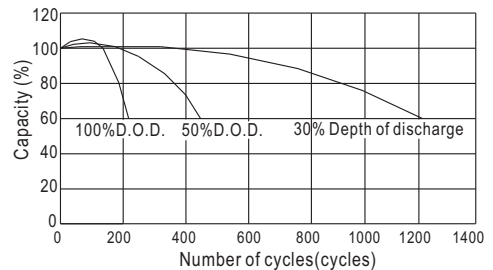
The Relationship for Open Circuit Voltage and Residual Capacity (25°C)



Charging Characteristics(25°C)



Cycle Life(25°C)



Constant Current Discharge Characteristics (A, 25°C)

| F.V/TIME | 5min | 10min | 15min | 30min | 60min | 3h | 5h | 10h | 20h |
|----------|------|-------|-------|-------|-------|------|------|------|------|
| 4.80V | 599 | 399 | 314 | 198 | 120 | 49.2 | 34.7 | 19.3 | 10.1 |
| 5.10V | 569 | 379 | 301 | 190 | 115 | 48.5 | 34.2 | 19.1 | 10.0 |
| 5.40V | 534 | 356 | 286 | 180 | 109 | 47.5 | 33.5 | 19.0 | 10.0 |

Constant Power Discharge Characteristics (Watt, 25°C)

| 5min | 10min | 15min | 30min | 60min | 3h | 5h | 10h | 20h |
|------|-------|-------|-------|-------|-----|-----|-----|------|
| 3142 | 2155 | 1721 | 1109 | 682 | 289 | 205 | 115 | 60.7 |
| 2985 | 2047 | 1652 | 1064 | 655 | 285 | 202 | 114 | 60.2 |
| 2806 | 1924 | 1570 | 1011 | 622 | 279 | 198 | 114 | 59.9 |