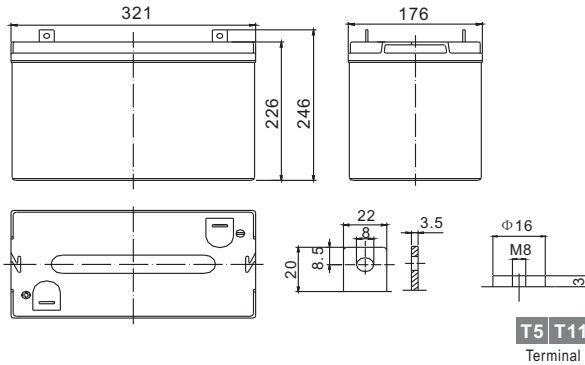


Standard Series

LFP6200 6V200Ah

FirstPower®

Dimension(mm)



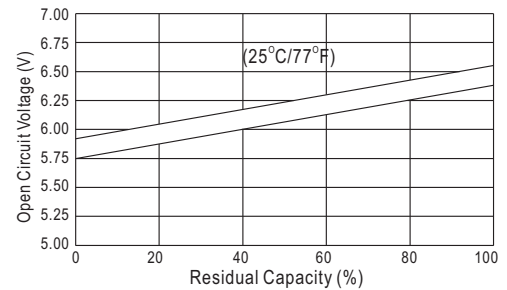
Specification

Nominal Voltage		6 V
Capacity(10HR, 25°C)		200 Ah
Dimension	Length	321mm (12.6inch)
	Width	176mm (6.9inch)
	Height	226mm (8.9inch)
	Total Height(T5/T11)	246mm (9.7inch)/229mm (9.0inch)
Approx. Weight		31kg (68.2lbs)

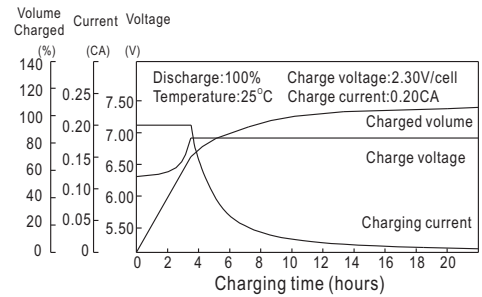
Characteristics

Capacity 20°C (68□) To 1.70V/Cell	20 hour rate	210Ah
	10 hour rate	200Ah
	5 hour rate	185Ah
	1 hour rate	122Ah
	15 min rate	85Ah
Internal resistance(Fully charged, 25°C)		Approx. 3.1m Ω
Capacity affected by temperature (10HR)	40°C	102%
	25°C	100%
	0°C	85%
	-15°C	65%
Self-discharge (25°C)	3 month	Remaining Capacity: 91%
	6 month	Remaining Capacity: 82%
	12 month	Remaining Capacity: 65%
Nominal operating temperature		25°C ± 3°C (77°F ± 5°F)
Operating temperature range		-15°C ~ 50°C (5°F ~ 122°F)
Float charging voltage(25°C)		6.75 to 6.90V
Cyclic charging voltage(25°C)		7.25 to 7.45V
Maximum charging current		60A
Terminal material		Copper
Maximum discharge current		1600A(5 Sec.)

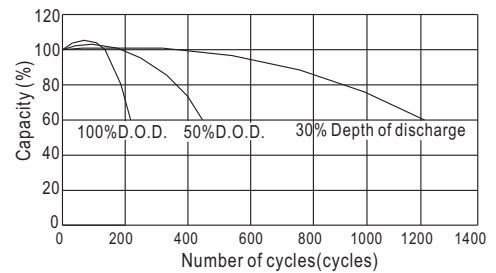
The Relationship for Open Circuit Voltage and Residual Capacity (25°C)



Charging Characteristics(25°C)



Cycle Life(25°C)



Constant Current Discharge Characteristics (A, 25°C)

F.V/TIME	5min	10min	15min	30min	60min	3h	5h	10h	20h
4.80V	650	430	370	210	130	55.0	38.2	20.3	10.6
5.10V	630	405	340	195	122	53.0	37.0	20.1	10.5
5.40V	565	360	300	175	110	50.0	33.5	20.0	10.4

Constant Power Discharge Characteristics (Watt, 25°C)

5min	10min	15min	30min	60min	3h	5h	10h	20h
3700	2450	2109	1208	754	328	229	121	63.3
3580	2305	1938	1121	708	319	221	120	62.8
3215	2050	1710	1005	638	298	200	120	62.4