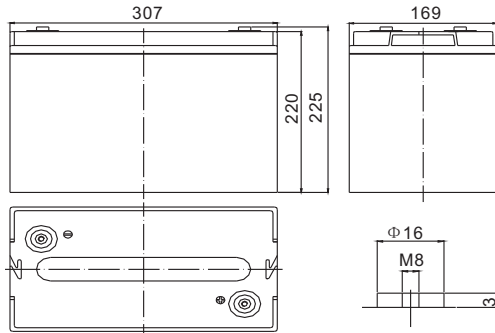


Standard Series LFP6200A 6V200Ah

FirstPower®

Dimension(mm)



T11
Terminal



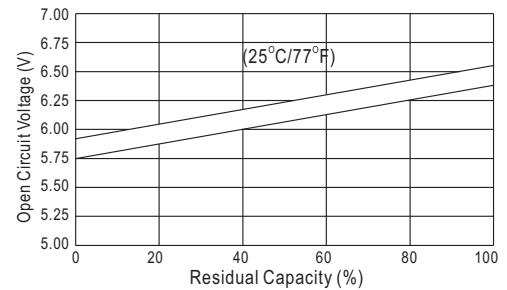
Specification

Nominal Voltage		6 V
Capacity(10HR, 25°C)		200 Ah
Dimension	Length	307mm (12.1inch)
	Width	169mm (6.7inch)
	Height	220mm (8.7inch)
	Total Height	225mm (8.9inch)
Approx. Weight		30.5kg (67.1bs)

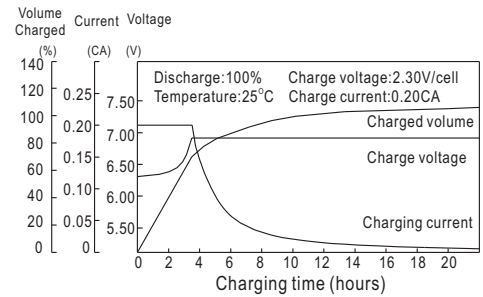
Characteristics

Capacity 20°C (68□) To 1.70V/Cell	20 hour rate	212Ah
	10 hour rate	200Ah
	5 hour rate	180Ah
	1 hour rate	121Ah
	15 min rate	79Ah
Internal resistance(Fully charged, 25°C)		Approx. 3.1m Ω
Capacity affected by temperature (10HR)	40°C	102%
	25°C	100%
	0°C	85%
	-15°C	65%
Self-discharge (25°C)	3 month	Remaining Capacity: 91%
	6 month	Remaining Capacity: 82%
	12 month	Remaining Capacity: 65%
Nominal operating temperature		25°C ±3°C(77°F ±5°F)
Operating temperature range		-15°C~50°C(5°F~122°F)
Float charging voltage(25°C)		6.75 to 6.90V
Cyclic charging voltage(25°C)		7.25 to 7.45V
Maximum charging current		60A
Terminal material		Copper
Maximum discharge current		1600A(5 Sec.)

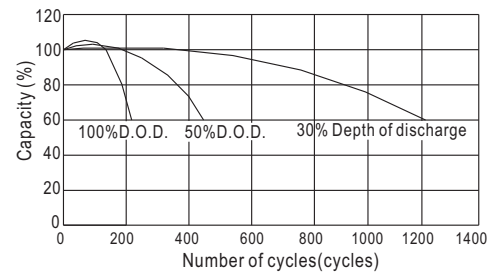
The Relationship for Open Circuit Voltage and Residual Capacity (25°C)



Charging Characteristics(25°C)



Cycle Life(25°C)



Constant Current Discharge Characteristics (A, 25°C)

F.V/TIME	5min	10min	15min	30min	60min	3h	5h	10h	20h
4.80V	630	420	330	208	126	51.8	36.5	20.3	10.7
5.10V	599	399	317	200	121	51.0	36.0	20.1	10.6
5.40V	563	375	301	190	115	50.0	35.3	20.0	10.5

Constant Power Discharge Characteristics (Watt, 25°C)

5min	10min	15min	30min	60min	3h	5h	10h	20h
3308	2268	1812	1167	718	304	216	121	63.9
3142	2155	1739	1120	689	300	213	120	63.4
2954	2025	1652	1064	655	294	209	120	63.0