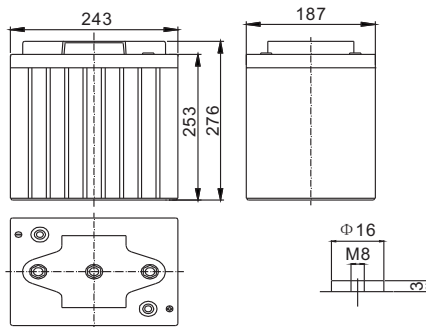


Standard Series LFP6220 6V220Ah

FirstPower®

Dimension



T11
Terminal

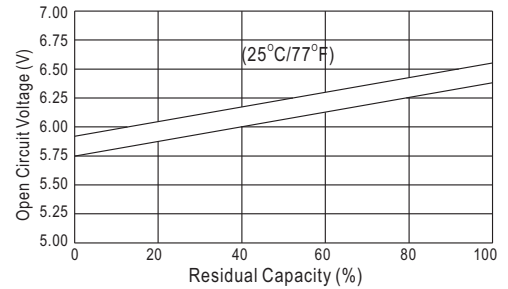
Specification

Nominal Voltage		6 V
Capacity(10HR, 25°C)		220 Ah
Dimension	Length	243mm (9.6inch)
	Width	187mm (7.4inch)
	Height	253mm (10.0inch)
	Total Height	276mm (10.9inch)
Approx. Weight		33kg (72.8lbs)

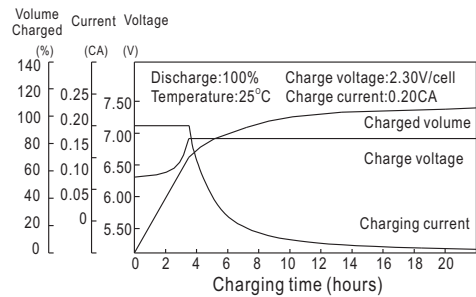
Characteristics

Capacity 20°C (68°F) To 1.70V/Cell	20 hour rate	232Ah
	10 hour rate	220Ah
	5 hour rate	198Ah
	1 hour rate	133Ah
	15 min rate	87Ah
Internal resistance(Fully charged, 25°C)		Approx. 3.0mΩ
Capacity affected by temperature (10HR)	40°C	102%
	25°C	100%
	0°C	85%
	-15°C	65%
Self-discharge (25°C)	3 month	Remaining Capacity: 91%
	6 month	Remaining Capacity: 82%
	12 month	Remaining Capacity: 65%
Nominal operating temperature		25°C ±3°C (77°F ±5°F)
Operating temperature range		-15°C~50°C (5°F~122°F)
Float charging voltage(25°C)		6.75 to 6.90V
Cyclic charging voltage(25°C)		7.25 to 7.45V
Maximum charging current		66A
Terminal material		Copper
Maximum discharge current		1760A(5 Sec.)

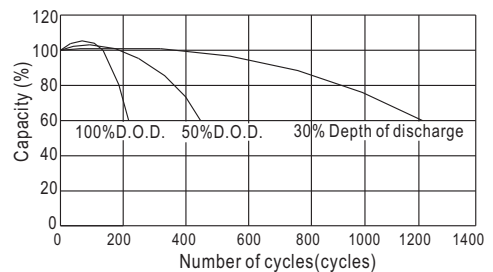
The Relationship for Open Circuit Voltage and Residual Capacity (25°C)



Charging Characteristics(25°C)



Cycle Life(25°C)



Constant Current Discharge Characteristics (A, 25°C)

F.V/TIME	5min	10min	15min	30min	60min	3h	5h	10h	20h
4.80V	693	462	363	229	139	56.9	40.2	22.3	11.7
5.10V	658	439	348	220	133	56.1	39.6	22.1	11.6
5.40V	619	413	331	209	126	55.0	38.8	22.0	11.4

Constant Power Discharge Characteristics (Watt, 25°C)

5min	10min	15min	30min	60min	3h	5h	10h	20h
3638	2495	1993	1284	790	335	238	133	69.6
3456	2370	1913	1232	758	330	234	132	69.1
3249	2228	1817	1171	720	323	229	132	68.6