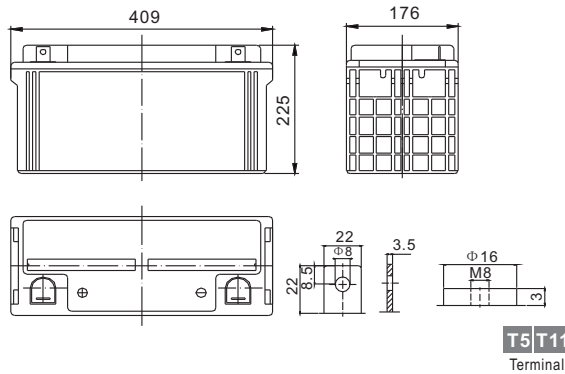


Standard Series

LFP12120 12V120Ah

FirstPower®

Dimension(mm)



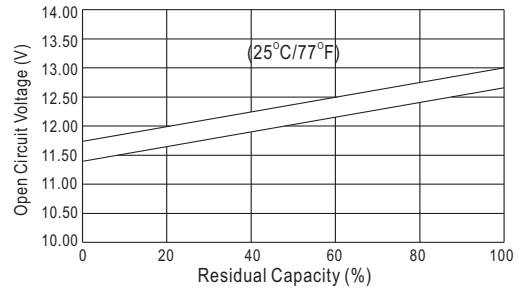
Specification

Nominal Voltage		12 V
Capacity(10HR, 25°C)		120 Ah
Dimension	Length	409mm (16.1inch)
	Width	176mm (6.9inch)
	Height	225mm (8.9inch)
	Total Height(T5/T11)	225mm (8.9inch)/225mm (8.9inch)
Approx. Weight		35.0kg (77.0lbs)

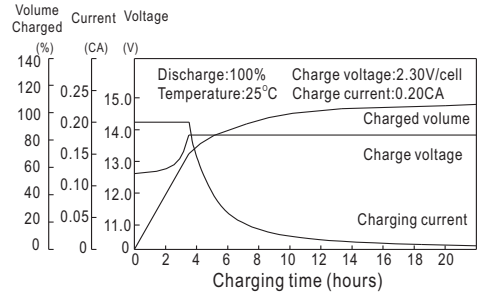
Characteristics

Capacity 20°C (68□) To 1.70V/Cell	20 hour rate	127Ah
	10 hour rate	120Ah
	5 hour rate	108Ah
	1 hour rate	74.9Ah
	15 min rate	50.5Ah
Internal resistance(Fully charged, 25°C)		Approx. 4m Ω
Capacity affected by temperature (10HR)	40°C	102%
	25°C	100%
	0°C	85%
	-15°C	65%
Self-discharge (25°C)	3 month	Remaining Capacity: 91%
	6 month	Remaining Capacity: 82%
	12 month	Remaining Capacity: 65%
Nominal operating temperature		25°C ±3°C(77°F ±5°F)
Operating temperature range		-15°C~50°C(5°F~122°F)
Float charging voltage(25°C)		13.50 to 13.80V
Cyclic charging voltage(25°C)		14.50 to 14.90V
Maximum charging current		36A
Terminal material		Copper
Maximum discharge current		960A(5 Sec.)

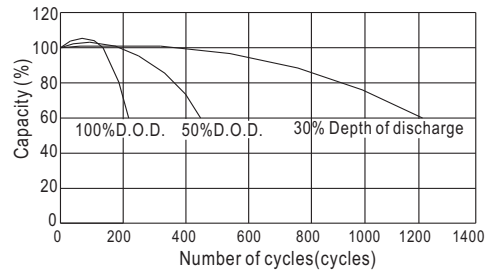
The Relationship for Open Circuit Voltage and Residual Capacity (25°C)



Charging Characteristics(25°C)



Cycle Life(25°C)



Constant Current Discharge Characteristics (A, 25°C)

F.V/TIME	5min	10min	15min	30min	60min	3h	5h	10h	20h
9.60V	370	250	210	130	78.0	31.0	21.9	12.2	6.35
10.2V	352	238	202	125	74.9	30.5	21.6	12.1	6.35
10.8V	331	224	192	119	71.2	29.9	21.2	12.0	6.20

Constant Power Discharge Characteristics (Watt, 25°C)

F.V/TIME	5min	10min	15min	30min	60min	3h	5h	10h	20h
9.60V	3885	2700	2306	1459	889	365	259	145	76.2
10.2V	3696	2570	2218	1403	854	359	255	144	76.2
10.8V	3476	2419	2108	1335	812	352	251	144	74.4