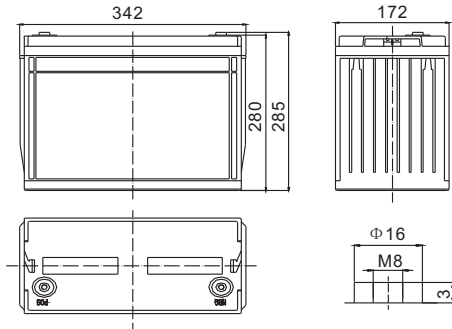


Standard Series

LFP12134 12V134Ah

FirstPower®

Dimension(mm)



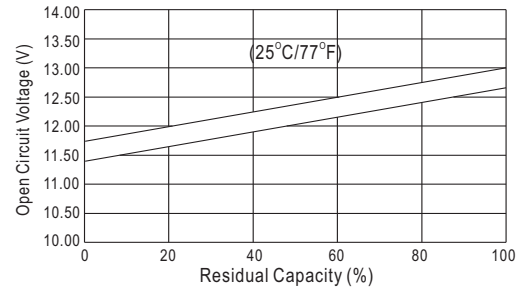
T11
Terminal



Specification

Nominal Voltage	12 V	
Capacity(10HR, 25°C)	134 Ah	
Dimension	Length	342mm (13.5inch)
	Width	172mm (6.8inch)
	Height	280mm (11.0inch)
	Total Height	285mm (11.2inch)
Approx. Weight	42.5kg (93.5lbs)	

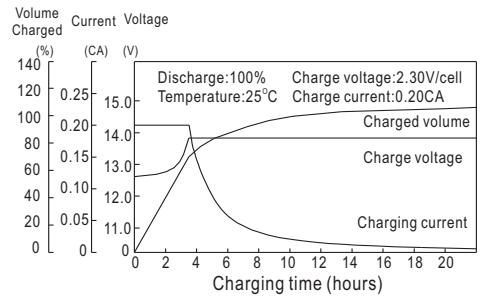
The Relationship for Open Circuit Voltage and Residual Capacity (25°C)



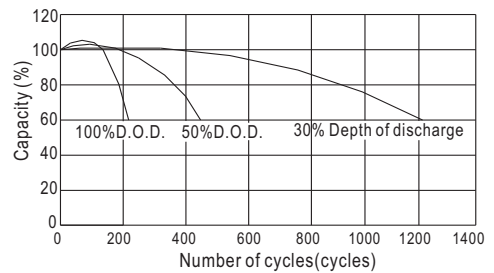
Characteristics

Capacity 20°C (68□) To 1.70V/Cell	20 hour rate	140Ah
	10 hour rate	134Ah
	5 hour rate	121Ah
	1 hour rate	83.5Ah
	15 min rate	55.3Ah
Internal resistance(Fully charged, 25°C)	Approx.3.8m Ω	
Capacity affected by temperature (10HR)	40°C	102%
	25°C	100%
	0°C	85%
	-15°C	65%
Self-discharge (25°C)	3 month	Remaining Capacity: 91%
	6 month	Remaining Capacity: 82%
	12 month	Remaining Capacity: 65%
Nominal operating temperature	25°C ±3°C(77°F ±5°F)	
Operating temperature range	-15°C~50°C(5°F~122°F)	
Float charging voltage(25°C)	13.50 to 13.80V	
Cyclic charging voltage(25°C)	14.50 to 14.90V	
Maximum charging current	40A	
Terminal material	Copper	
Maximum discharge current	1050A(5 Sec.)	

Charging Characteristics(25°C)



Cycle Life(25°C)



Constant Current Discharge Characteristics (A, 25°C)

F.V/TIME	5min	10min	15min	30min	60min	3h	5h	10h	20h
9.60V	430	290	230	144	87.0	34.0	24.6	13.6	7.11
10.2V	409	276	221	138	83.5	33.5	24.2	13.5	7.04
10.8V	384	259	210	131	79.3	32.8	23.7	13.4	7.00

Constant Power Discharge Characteristics (Watt, 25°C)

5min	10min	15min	30min	60min	3h	5h	10h	20h
4515	3132	2525	1616	992	400	290	162	85.0
4289	2975	2424	1551	952	394	286	161	84.5
4032	2797	2303	1474	905	386	280	161	84.0