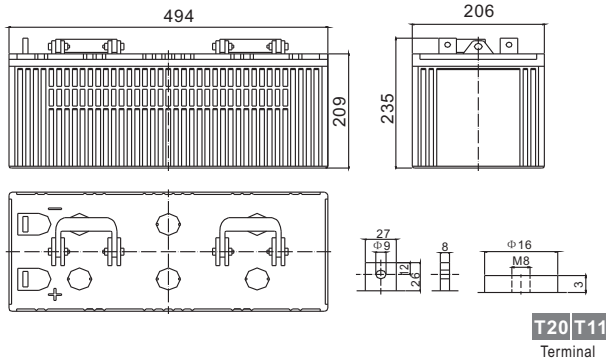


# Standard Series LFP12150S 12V150Ah

**FirstPower®**

## Dimension(mm)



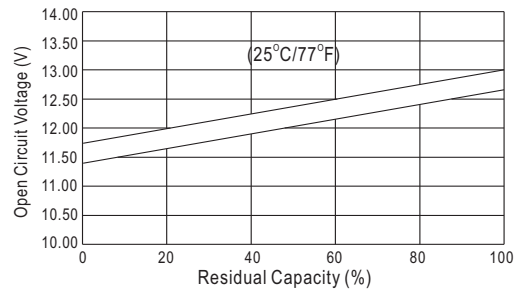
## Specification

Nominal Voltage		12 V
Capacity(10HR, 25°C)		150 Ah
Dimension	Length	494mm (19.4inch)
	Width	206mm (8.1inch)
	Height	209mm (8.2inch)
	Total Height(T20/T11)	235mm (9.3inch)/235mm (9.3inch)
Approx. Weight		50.5kg (111.4lbs)

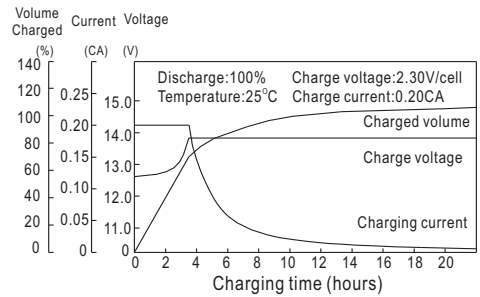
## Characteristics

Capacity 20°C (68°F) To 1.70V/Cell	20 hour rate	158.4Ah
	10 hour rate	150Ah
	5 hour rate	135Ah
	1 hour rate	90.7Ah
	15 min rate	59.5Ah
Internal resistance(Fully charged, 25°C)		Approx.3.8mΩ
Capacity affected by temperature (10HR)	40°C	102%
	25°C	100%
	0°C	85%
	-15°C	65%
Self-discharge (25°C)	3 month	Remaining Capacity: 91%
	6 month	Remaining Capacity: 82%
	12 month	Remaining Capacity: 65%
Nominal operating temperature		25°C ±3°C(77°F ±5°F)
Operating temperature range		-15°C~50°C(5°F~122°F)
Float charging voltage(25°C)		13.50 to 13.80V
Cyclic charging voltage(25°C)		14.50 to 14.90V
Maximum charging current		45A
Terminal material		Lead
Maximum discharge current		1200A(5 Sec.)

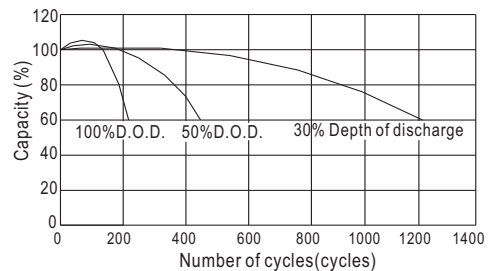
## The Relationship for Open Circuit Voltage and Residual Capacity (25°C)



## Charging Characteristics(25°C)



## Cycle Life(25°C)



## Constant Current Discharge Characteristics (A, 25°C)

F.V/TIME	5min	10min	15min	30min	60min	3h	5h	10h	20h
9.60V	473	315	248	156	94.5	38.8	27.4	15.2	7.99
10.2V	449	299	238	150	90.7	38.3	27.0	15.1	7.92
10.8V	422	281	226	142	86.2	37.5	26.5	15.0	7.88

## Constant Power Discharge Characteristics (Watt, 25°C)

5min	10min	15min	30min	60min	3h	5h	10h	20h
4961	3402	2718	1750	1077	457	324	182	95.9
4713	3232	2609	1680	1034	450	319	180	95.1
4430	3038	2478	1596	982	441	313	180	94.5