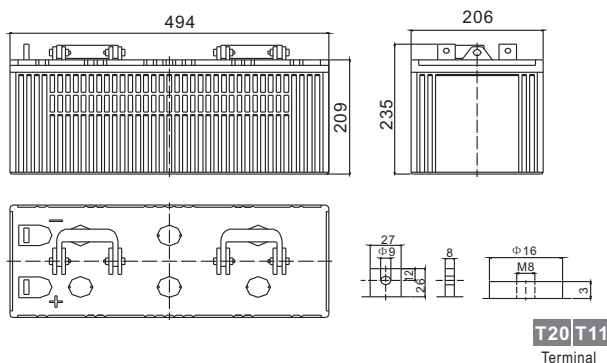


# Standard Series LFP12180 12V180Ah

**FirstPower®**

## Dimension(mm)



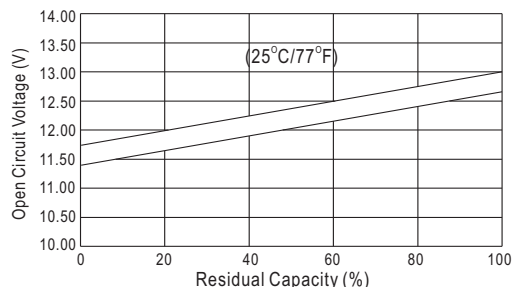
## Specification

Nominal Voltage		12 V
Capacity(10HR, 25°C)		180 Ah
Dimension	Length	494mm (19.4inch)
	Width	206mm (8.1inch)
	Height	209mm (8.2inch)
	Total Height(T20/T11)	235mm (9.3inch)/235mm (9.3inch)
Approx. Weight		54kg(118.8lbs)

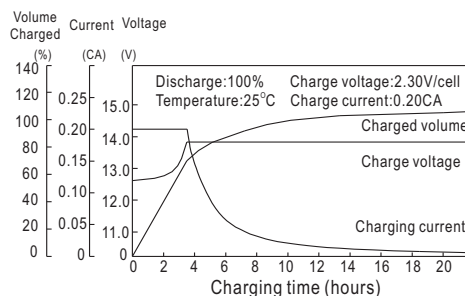
## Characteristics

Capacity 20°C (68□) To 1.70V/Cell	20 hour rate	190Ah
	10 hour rate	180Ah
	5 hour rate	162Ah
	1 hour rate	109Ah
	15 min rate	71.3Ah
Internal resistance(Fully charged, 25°C)		Approx.3.5mΩ
Capacity affected by temperature (10HR)	40°C	102%
	25°C	100%
	0°C	85%
	-15°C	65%
Self-discharge (25°C)	3 month	Remaining Capacity: 91%
	6 month	Remaining Capacity: 82%
	12 month	Remaining Capacity: 65%
Nominal operating temperature		25°C ±3°C(77°F ±5°F)
Operating temperature range		-15°C~50°C(5°F~122°F)
Float charging voltage(25°C)		13.50 to 13.80V
Cyclic charging voltage(25°C)		14.50 to 14.90V
Maximum charging current		54A
Terminal material		Lead
Maximum discharge current		1400A(5 Sec.)

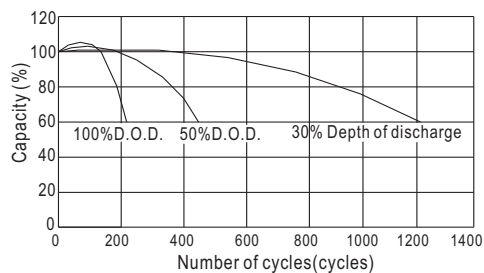
## The Relationship for Open Circuit Voltage and Residual Capacity (25°C)



## Charging Characteristics(25°C)



## Cycle Life(25°C)



## Constant Current Discharge Characteristics (A, 25°C)

F.V/TIME	5min	10min	15min	30min	60min	3h	5h	10h	20h
9.60V	567	378	297	187	113	46.6	32.9	18.3	9.59
10.2V	539	359	285	180	109	45.9	32.4	18.1	9.51
10.8V	506	338	271	171	103	45.0	31.8	18.0	9.45

## Constant Power Discharge Characteristics (Watt, 25°C)

5min	10min	15min	30min	60min	3h	5h	10h	20h
5954	4082	3261	2100	1293	548	389	218	115
5656	3878	3131	2016	1241	540	383	216	114
5316	3646	2974	1916	1179	529	375	216	113