

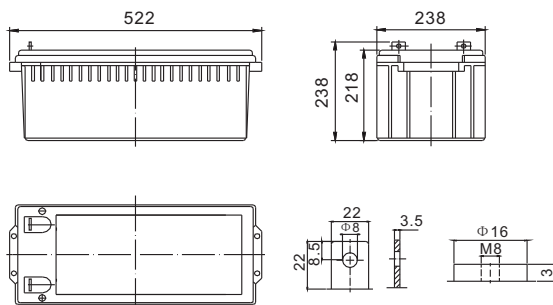
# Standard Series

# LFP12225

12V225Ah

**FirstPower®**

## Dimension(mm)



**T5 T11**  
Terminal



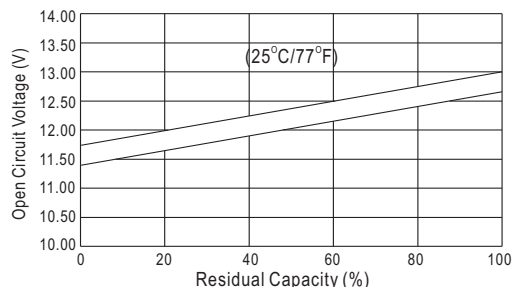
## Specification

Nominal Voltage		12 V
Capacity(10HR, 25°C)		225 Ah
Dimension	Length	522mm (20.6inch)
	Width	238mm (9.4inch)
	Height	218mm (8.6inch)
	Total Height(T5/T11)	238mm (9.4inch)/221mm (8.7inch)
Approx. Weight		64kg (140.8lbs)

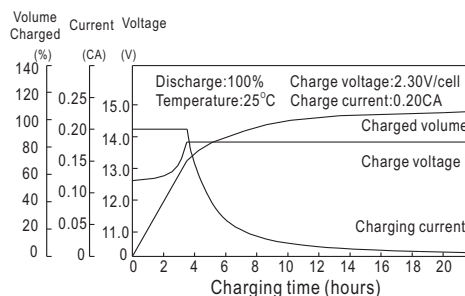
## Characteristics

Capacity 20°C (68□) To 1.70V/Cell	20 hour rate	238Ah
	10 hour rate	225Ah
	5 hour rate	202.5Ah
	1 hour rate	136Ah
	15 min rate	89Ah
Internal resistance(Fully charged, 25°C)		Approx. 2.8m Ω
Capacity affected by temperature (10HR)	40°C	102%
	25°C	100%
	0°C	85%
	-15°C	65%
Self-discharge (25°C)	3 month	Remaining Capacity: 91%
	6 month	Remaining Capacity: 82%
	12 month	Remaining Capacity: 65%
Nominal operating temperature		25°C ±3°C(77°F ±5°F)
Operating temperature range		-15°C~50°C(5°F~122°F)
Float charging voltage(25°C)		13.50 to 13.80V
Cyclic charging voltage(25°C)		14.50 to 14.90V
Maximum charging current		67.5A
Terminal material		Copper
Maximum discharge current		1600A(5 Sec.)

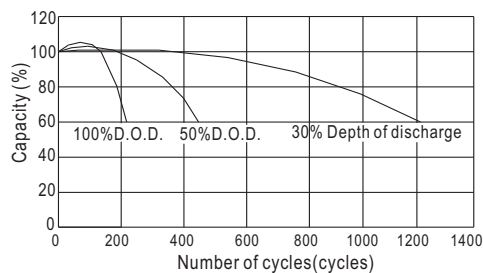
## The Relationship for Open Circuit Voltage and Residual Capacity (25°C)



## Charging Characteristics(25°C)



## Cycle Life(25°C)



## Constant Current Discharge Characteristics (A, 25°C)

F.V/TIME	5min	10min	15min	30min	60min	3h	5h	10h	20h
9.60V	709	473	371	234	142	58.2	41.1	22.8	12.0
10.2V	673	449	356	225	136	57.4	40.5	22.6	11.9
10.8V	633	422	339	213	129	56.2	39.7	22.5	11.8

## Constant Power Discharge Characteristics (Watt, 25°C)

5min	10min	15min	30min	60min	3h	5h	10h	20h
7442	5103	4076	2625	1616	685	486	273	144
7070	4848	3913	2520	1551	675	479	270	143
6646	4557	3718	2394	1474	661	469	270	142