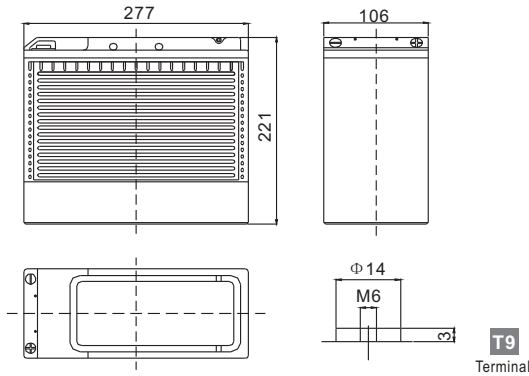


# Long Life Series

## LFP1250FT 12V50Ah

**FirstPower®**

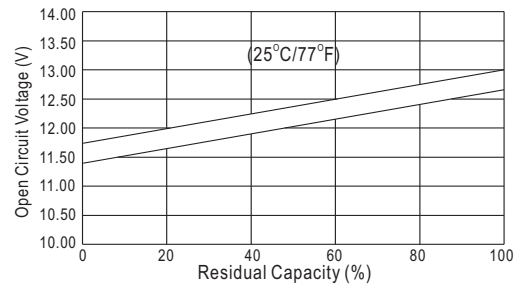
### Dimension(mm)



### Specification

Nominal Voltage		12 V
Capacity(10HR, 25°C)		50 Ah
Dimension	Length	277mm (10.9inch)
	Width	106mm (4.2inch)
	Height	221mm (8.7inch)
	Total Height	221mm (8.7inch)
Approx. Weight		17kg (37.5lbs)

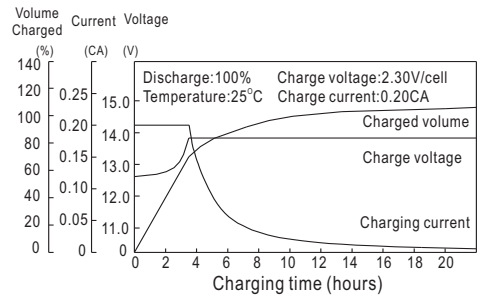
### The Relationship for Open Circuit Voltage and Residual Capacity (25°C)



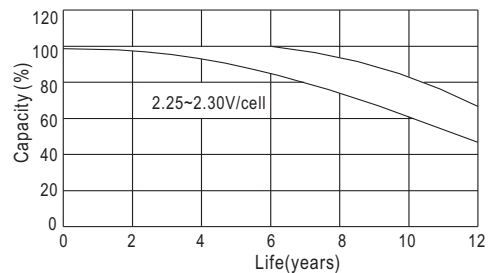
### Characteristics

Capacity 20°C (68°F) To 1.70V/Cell	20 hour rate	52.8Ah
	10 hour rate	50Ah
	5 hour rate	45Ah
	1 hour rate	30.21Ah
	15 min rate	19.4Ah
Internal resistance(Fully charged, 25°C)		Approx.6.2mΩ
Capacity affected by temperature (10HR)	40°C	102%
	25°C	100%
	0°C	85%
	-15°C	65%
Self-discharge (25°C)	3 month	Remaining Capacity: 91%
	6 month	Remaining Capacity: 82%
	12 month	Remaining Capacity: 65%
Nominal operating temperature		25°C ±3°C(77°F ±5°F)
Operating temperature range		-15°C~50°C(5°F~122°F)
Float charging voltage(25°C)		13.50 to 13.80V
Cyclic charging voltage(25°C)		14.50 to 14.90V
Maximum charging current		15A
Terminal material		Copper
Maximum discharge current		400A(5 sec.)

### Charging Characteristics(25°C)



### Floating Life Characteristics (25°C)



### Constant Current Discharge Characteristics (A, 25°C)

F.V/TIME	5min	10min	15min	30min	60min	3h	5h	10h	20h
9.60V	153	102	81.0	51.0	31.5	12.9	9.13	5.07	2.66
10.2V	145	96.7	77.7	49.0	30.2	12.8	9.00	5.03	2.64
10.8V	136	91.0	73.7	46.3	28.7	12.5	8.83	5.00	2.63

### Constant Power Discharge Characteristics (Watt, 25°C)

5min	10min	15min	30min	60min	3h	5h	10h	20h
1604	1100	888	572	359	152	108	60.7	32.0
1524	1045	852	549	345	150	106	60.0	31.7
1432	982	810	521	327	147	104	60.0	31.5