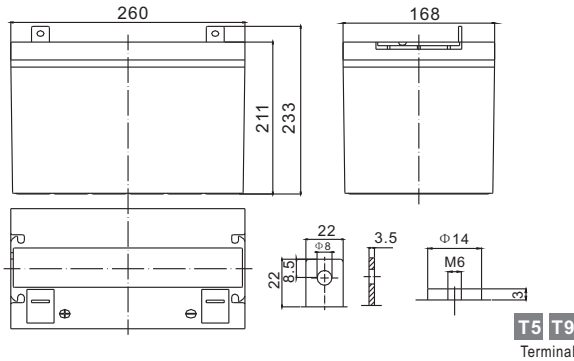


Long Life Series

LFP1260L 12V60Ah

FirstPower®

Dimension(mm)



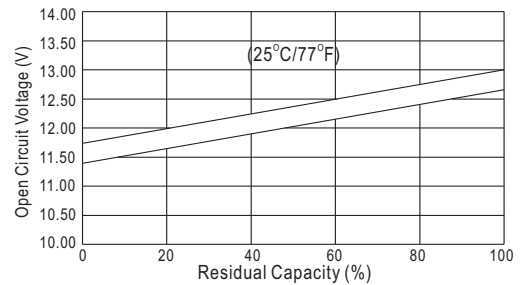
Specification

Nominal Voltage	12 V	
Capacity(10HR, 25°C)	60Ah	
Dimension	Length	260mm (10.2inch)
	Width	168mm (6.6inch)
	Height	211mm (8.3inch)
	Total Height(T5/T9)	233mm (9.2inch)/214mm (8.4inch)
Approx. Weight	21kg (46.2lbs)	

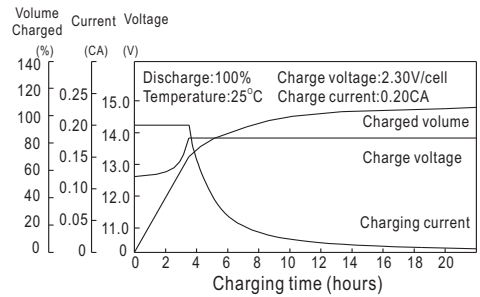
Characteristics

Capacity 20°C (68°F) To 1.70V/Cell	20 hour rate	63.4Ah
	10 hour rate	60Ah
	5 hour rate	54Ah
	1 hour rate	36.3Ah
	15 min rate	23.3Ah
Internal resistance(Fully charged, 25°C)	Approx.5.7mΩ	
Capacity affected by temperature (10HR)	40°C	102%
	25°C	100%
	0°C	85%
	-15°C	65%
Self-discharge (25°C)	3 month	Remaining Capacity: 91%
	6 month	Remaining Capacity: 82%
	12 month	Remaining Capacity: 65%
Nominal operating temperature	25°C ±3°C(77°F ±5°F)	
Operating temperature range	-15°C~50°C(5°F~122°F)	
Float charging voltage(25°C)	13.50 to 13.80V	
Cyclic charging voltage(25°C)	14.50 to 14.90V	
Maximum charging current	18A	
Terminal material	Copper	
Maximum discharge current	600A(5 sec.)	

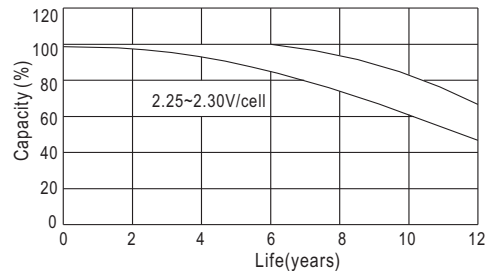
The Relationship for Open Circuit Voltage and Residual Capacity (25°C)



Charging Characteristics(25°C)



Floating Life Characteristics (25°C)



Constant Current Discharge Characteristics (A, 25°C)

F.V/TIME	5min	10min	15min	30min	60min	3h	5h	10h	20h
9.60V	183	122	97.0	61.2	37.8	15.5	11.0	6.09	3.20
10.2V	174	116	93.1	58.7	36.3	15.3	10.8	6.04	3.17
10.8V	164	109	88.5	55.8	34.5	15.0	10.6	6.00	3.15

Constant Power Discharge Characteristics (Watt, 25°C)

5min	10min	15min	30min	60min	3h	5h	10h	20h
1925	1320	1065	686	431	183	130	72.7	38.4
1829	1254	1023	659	414	180	128	72.1	38.0
1719	1179	972	626	393	176	125	72.1	37.8