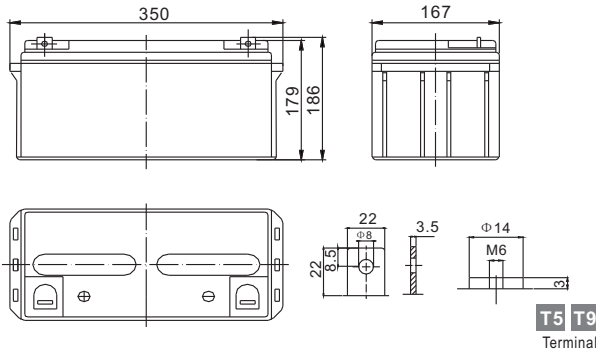


# Long Life Series

## LFP1265L 12V65Ah

**FirstPower®**

### Dimension(mm)



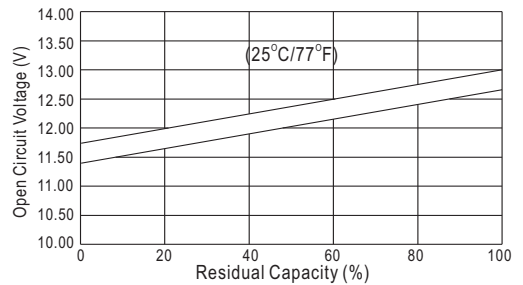
### Specification

Nominal Voltage	12 V	
Capacity(10HR, 25°C)	65 Ah	
Dimension	Length	350mm (13.8inch)
	Width	167mm (6.6inch)
	Height	179mm (7.0inch)
	Total Height(T5/T9)	186mm (7.4inch)/179mm (7.0inch)
Approx. Weight	22.5kg (49.6lbs)	

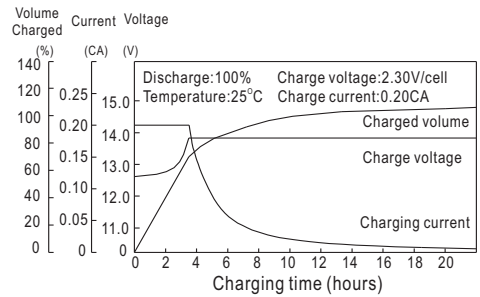
### Characteristics

Capacity 20°C (68□) To 1.70V/Cell	20 hour rate	69Ah
	10 hour rate	65Ah
	5 hour rate	57.5Ah
	1 hour rate	39.4Ah
	15 min rate	25.3Ah
Internal resistance(Fully charged, 25°C)	Approx.6mΩ	
Capacity affected by temperature (10HR)	40°C	102%
	25°C	100%
	0°C	85%
	-15°C	65%
Self-discharge (25°C)	3 month	Remaining Capacity: 91%
	6 month	Remaining Capacity: 82%
	12 month	Remaining Capacity: 65%
Nominal operating temperature	25°C ±3°C(77°F ±5°F)	
Operating temperature range	-15°C~50°C(5°F~122°F)	
Float charging voltage(25°C)	13.50 to 13.80V	
Cyclic charging voltage(25°C)	14.50 to 14.90V	
Maximum charging current	19.5A	
Terminal material	Copper	
Maximum discharge current	650A(5 sec.)	

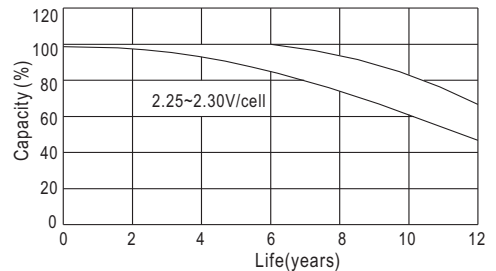
### The Relationship for Open Circuit Voltage and Residual Capacity (25°C)



### Charging Characteristics(25°C)



### Floating Life Characteristics (25°C)



### Constant Current Discharge Characteristics (A, 25°C)

F.V/TIME	5min	10min	15min	30min	60min	3h	5h	10h	20h
9.60V	199	139	105	65.0	41.0	16.7	11.7	6.65	3.45
10.2V	189	132	101	62.4	39.4	16.5	11.5	6.60	3.45
10.8V	178	124	95.8	59.3	37.4	16.2	11.3	6.50	3.40

### Constant Power Discharge Characteristics (Watt, 25°C)

5min	10min	15min	30min	60min	3h	5h	10h	20h
2088	1498	1153	729	467	196	138	79.4	41.4
1984	1423	1109	700	449	194	136	78.8	41.4
1965	1338	1052	665	426	191	134	77.6	40.8