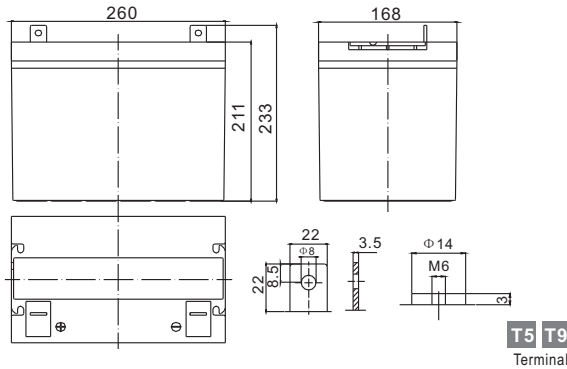


Long Life Series

LFP1270L 12V70Ah

FirstPower®

Dimension(mm)



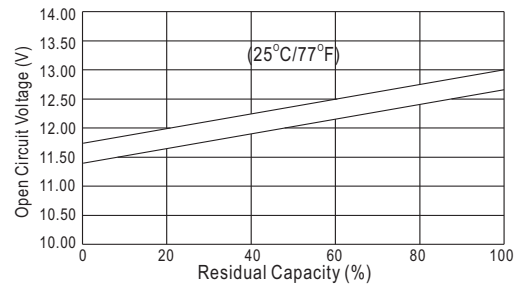
Specification

Nominal Voltage	12 V	
Capacity(10HR, 25°C)	70Ah	
Dimension	Length	260mm (10.2inch)
	Width	168mm (6.6inch)
	Height	211mm (8.3inch)
	Total Height(T5/T9)	233mm (9.2inch)/214mm (8.4inch)
Approx. Weight	24kg (52.8lbs)	

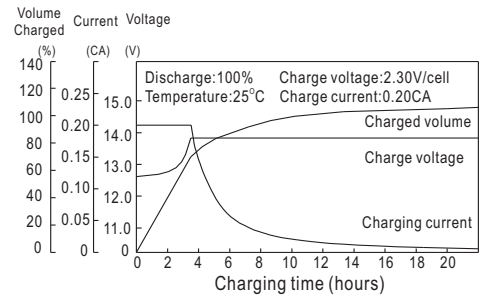
Characteristics

Capacity 20°C (68□) To 1.70V/Cell	20 hour rate	74Ah
	10 hour rate	70Ah
	5 hour rate	63Ah
	1 hour rate	42.3Ah
	15 min rate	27.3Ah
Internal resistance(Fully charged, 25°C)	Approx.5.5mΩ	
Capacity affected by temperature (10HR)	40°C	102%
	25°C	100%
	0°C	85%
	-15°C	65%
Self-discharge (25°C)	3 month	Remaining Capacity: 91%
	6 month	Remaining Capacity: 82%
	12 month	Remaining Capacity: 65%
Nominal operating temperature	25°C ±3°C(77°F ±5°F)	
Operating temperature range	-15°C~50°C(5°F~122°F)	
Float charging voltage(25°C)	13.50 to 13.80V	
Cyclic charging voltage(25°C)	14.50 to 14.90V	
Maximum charging current	21A	
Terminal material	Copper	
Maximum discharge current	700A(5 sec.)	

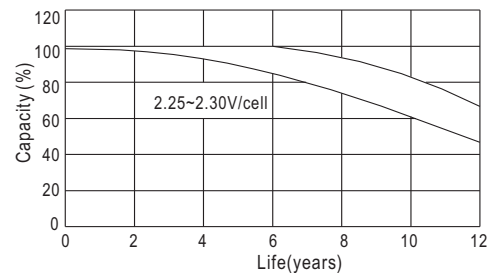
The Relationship for Open Circuit Voltage and Residual Capacity (25°C)



Charging Characteristics(25°C)



Floating Life Characteristics (25°C)



Constant Current Discharge Characteristics (A, 25°C)

F.V/TIME	5min	10min	15min	30min	60min	3h	5h	10h	20h
9.60V	214	143	113	71.3	44.1	18.1	12.8	7.11	3.73
10.2V	203	135	109	68.5	42.3	17.9	12.6	7.04	3.70
10.8V	191	127	103	65.1	40.2	17.5	12.3	7.00	3.68

Constant Power Discharge Characteristics (Watt, 25°C)

5min	10min	15min	30min	60min	3h	5h	10h	20h
2246	1540	1243	800	503	213	151	84.8	44.8
2134	1463	1193	768	483	210	149	84.1	44.4
2005	1375	1133	730	458	206	146	84.1	44.1