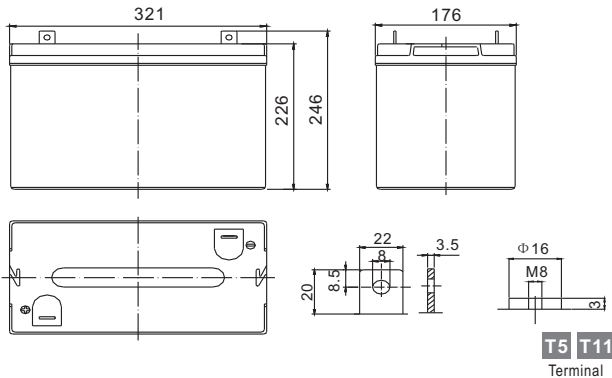


Long Life Series

LFP6200L 6V200Ah

FirstPower®

Dimension(mm)



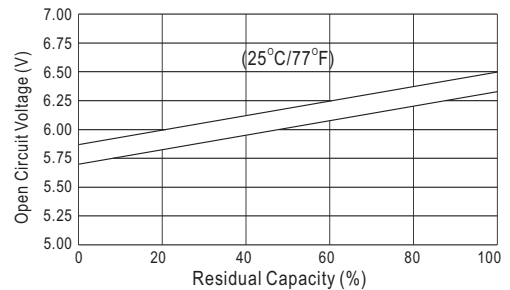
Specification

Nominal Voltage	6 V	
Capacity(10HR, 25°C)	200 Ah	
Dimension	Length	321mm (12.6inch)
	Width	176mm (6.9inch)
	Height	226mm (8.9inch)
	Total Height(T5/T11)	246mm (9.7inch)/229mm(9.0inch)
Approx. Weight	32kg (70.4lbs)	

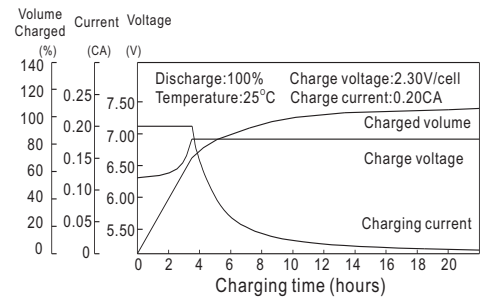
Characteristics

Capacity 20°C (68□) To 1.70V/Cell	20 hour rate	210Ah
	10 hour rate	200Ah
	5 hour rate	185Ah
	1 hour rate	122Ah
	15 min rate	85Ah
Internal resistance(Fully charged, 25°C)	Approx. 3.1m Ω	
Capacity affected by temperature (10HR)	40°C	102%
	25°C	100%
	0°C	85%
	-15°C	65%
Self-discharge (25°C)	3 month	Remaining Capacity: 91%
	6 month	Remaining Capacity: 82%
	12 month	Remaining Capacity: 65%
Nominal operating temperature	25°C ±3°C(77°F ±5°F)	
Operating temperature range	-15°C~50°C(5°F~122°F)	
Float charging voltage(25°C)	6.75 to 6.90V	
Cyclic charging voltage(25°C)	7.25 to 7.45V	
Maximum charging current	60A	
Terminal material	Copper	
Maximum discharge current	1600A(5 sec.)	

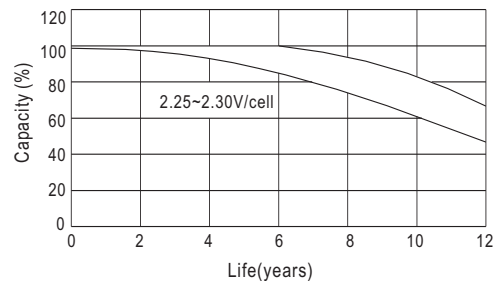
The Relationship for Open Circuit Voltage and Residual Capacity (25°C)



Charging Characteristics(25°C)



Floating Life Characteristics (25°C)



Constant Current Discharge Characteristics (A, 25°C)

F.V/TIME	5min	10min	15min	30min	60min	3h	5h	10h	20h
4.80V	631	417	359	204	130	55.0	38.2	20.3	10.6
5.10V	599	396	345	196	122	53.5	37.0	20.1	10.5
5.40V	563	372	327	186	110	50.0	33.5	20.0	10.4

Constant Power Discharge Characteristics (Watt, 25°C)

F.V/TIME	5min	10min	15min	30min	60min	3h	5h	10h	20h
4.80V	3310	2252	1970	1143	754	328	229	121	63.3
5.10V	3145	2140	1892	1097	708	319	221	120	62.8
5.40V	2956	2011	1797	1042	638	298	200	120	62.4