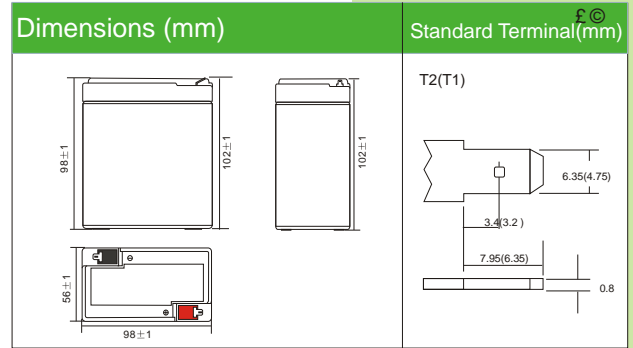
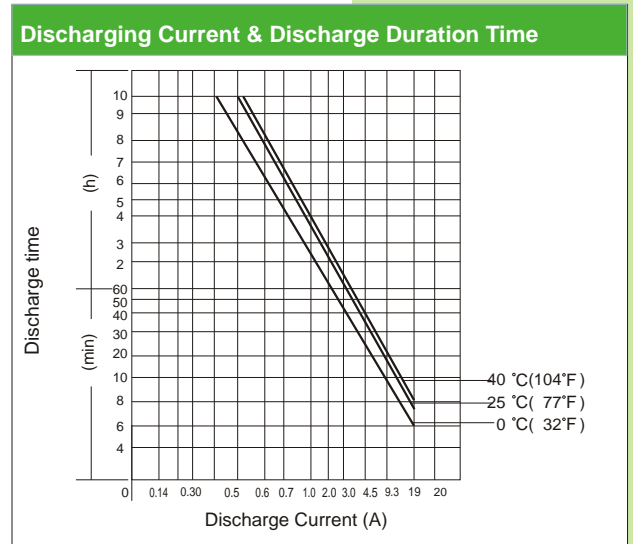




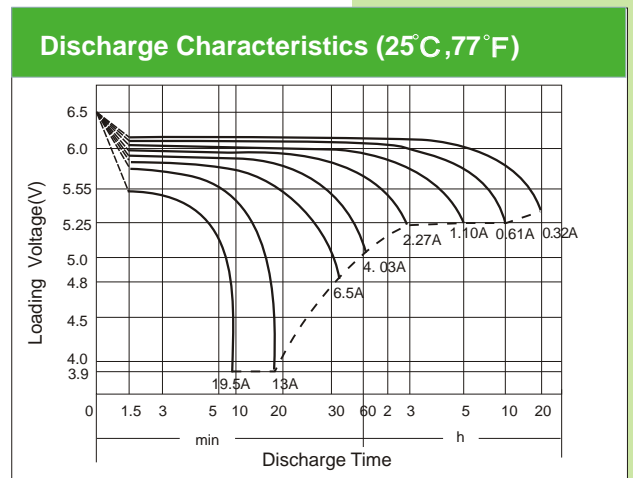
DJWG-6.5(6V6.5AH)



PHYSICAL SPECIFICATION		
Nominal Voltage	6V	
Nominal Capacity (20HR)	6.5AH	
Dimension	Length	98 ± 1mm (3.86 inches)
	Width	56 ± 1mm (2.2 inches)
	Container Height	96 ± 1mm (3.78 inches)
	Total Height (with Terminal)	102 ± 1mm (4.02 inches)
Weight	Approx 1.22kg (2.69lbs)	
Standard Terminal	T1/T2(Standard)	



ELECTRICAL SPECIFICATION					
Rated Capacity	20 hour rate (0.32 A)	6.5AH	Constant-Voltage	Cycle	Initial Charging Current less than 1.95A. Voltage 7.20V~7.50V at 25°C (77°F) Temp. Coefficient -15mV/C
	10 hour rate (0.61 A)	6.1AH			
	5 hour rate (1.10 A)	5.52AH			
	1 hour rate (4.03A)	4.03AH			
Capacity affected by Temperature	40C (104F)	103%	Charge	Standby	No limit on Initial Charging Current Voltage 6.75V~6.90V at 25°C (77°F) Temp. Coefficient -10mV/C
	25C (77F)	100%			
	0C (32F)	86%			
15minute rate (12.74 A)	3.18AH				



Constant Current (Amp) and Constant Power (Watt) Discharge Table (25°C, 77°F)

Time(minute) Final voltage/Cell	Amp/Watt/Cell											
	5	10	15	20	30	45	60	120	180	300	600	1200
A	25.00	18.52	12.74	10.40	7.47	5.20	4.03	2.27	1.66	1.10	0.61	0.32
W	46.53	34.83	24.24	20.34	14.69	10.33	7.99	4.53	3.29	2.21	1.21	0.65