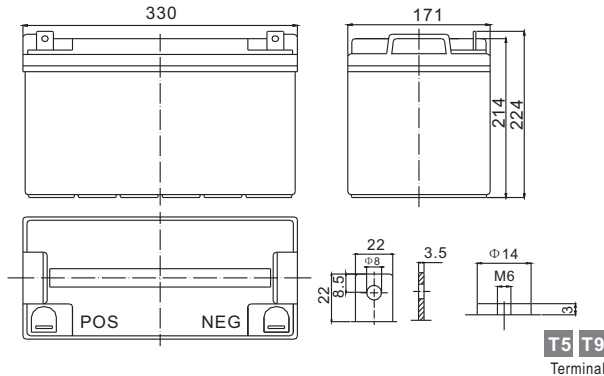


Long Life Series

LFP12100L 12V100Ah

FirstPower®

Dimension(mm)



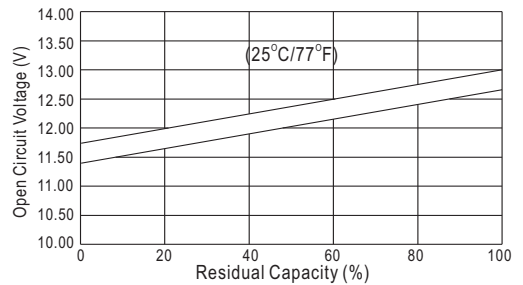
Specification

Nominal Voltage		12 V
Capacity(10HR, 25°C)		100 Ah
Dimension	Length	330mm (13.0inch)
	Width	171mm (6.7inch)
	Height	214mm (8.4inch)
	Total Height(T5/T9)	224mm (8.8inch)/220mm (8.7inch)
Approx. Weight		32.5kg (71.7lbs)

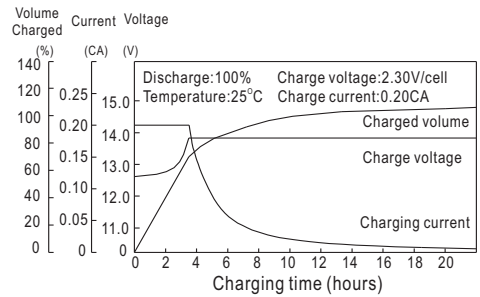
Characteristics

Capacity 20°C (68□) To 1.70V/Cell	20 hour rate	107Ah
	10 hour rate	100Ah
	5 hour rate	91Ah
	1 hour rate	62.4Ah
	15 min rate	40.8Ah
Internal resistance(Fully charged, 25°C)		Approx. 5mΩ
Capacity affected by temperature (10HR)	40°C	102%
	25°C	100%
	0°C	85%
	-15°C	65%
Self-discharge (25°C)	3 month	Remaining Capacity: 91%
	6 month	Remaining Capacity: 82%
	12 month	Remaining Capacity: 65%
Nominal operating temperature		25°C ±3°C(77°F ±5°F)
Operating temperature range		-15°C~50°C(5°F~122°F)
Float charging voltage(25°C)		13.50 to 13.80V
Cyclic charging voltage(25°C)		14.50 to 14.90V
Maximum charging current		30A
Terminal material		Copper
Maximum discharge current		800A(5 sec.)

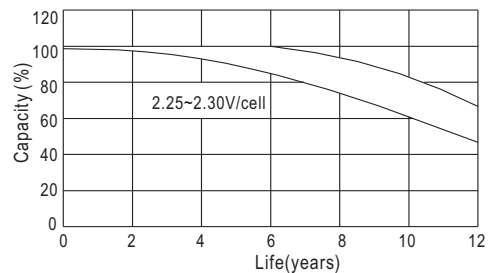
The Relationship for Open Circuit Voltage and Residual Capacity (25°C)



Charging Characteristics(25°C)



Floating Life Characteristics (25°C)



Constant Current Discharge Characteristics (A, 25°C)

F.V/TIME	5min	10min	15min	30min	60min	3h	5h	10h	20h
9.60V	310	213	170	105	65.0	26.4	18.5	10.3	5.35
10.2V	295	203	163	101	62.4	26.0	18.2	10.2	5.35
10.8V	277	191	155	95.5	59.3	25.5	17.8	10.0	5.35

Constant Power Discharge Characteristics (Watt, 25°C)

5min	10min	15min	30min	60min	3h	5h	10h	20h
3259	2305	1864	1160	741	310	219	123	64.2
3096	2189	1789	1128	711	306	215	122	64.2
2910	2058	1700	1072	676	300	210	119	63.6