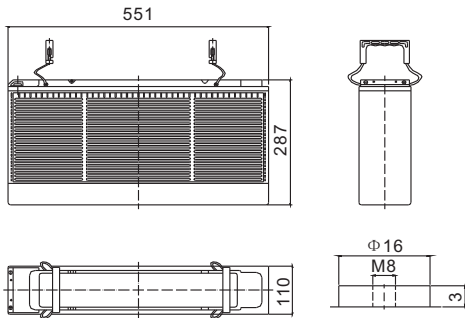


# Long Life Series

## LFP12150FT 12V150Ah

**FirstPower®**

### Dimension(mm)



**T11**  
Terminal



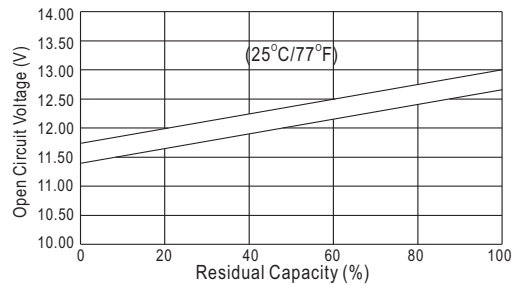
### Specification

Nominal Voltage		12 V
Capacity(10HR, 25°C)		150 Ah
Dimension	Length	551mm (21.7inch)
	Width	110mm (4.3inch)
	Height	287mm (11.3inch)
	Total Height	287mm (11.3inch)
Approx. Weight		49.5kg (108.9lbs)

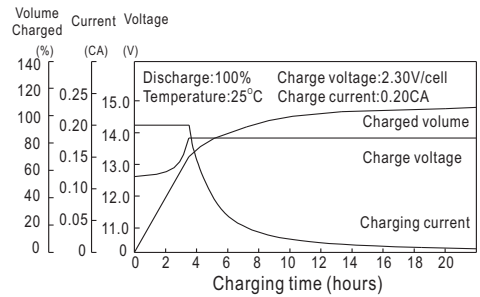
### Characteristics

Capacity 20°C (68□) To 1.70V/Cell	20 hour rate	158Ah
	10 hour rate	150Ah
	5 hour rate	138Ah
	1 hour rate	93.6Ah
	15 min rate	63Ah
Internal resistance(Fully charged, 25°C)		Approx 3.6mΩ
Capacity affected by temperature (10HR)	40°C	102%
	25°C	100%
	0°C	85%
	-15°C	65%
Self-discharge (25°C)	3 month	Remaining Capacity: 91%
	6 month	Remaining Capacity: 82%
	12 month	Remaining Capacity: 65%
Nominal operating temperature		25°C ±3°C(77°F ±5°F)
Operating temperature range		-15°C~50°C(5°F~122°F)
Float charging voltage(25°C)		13.50 to 13.80V
Cyclic charging voltage(25°C)		14.50 to 14.90V
Maximum charging current		45A
Terminal material		Copper
Maximum discharge current		1200A(5 sec.)

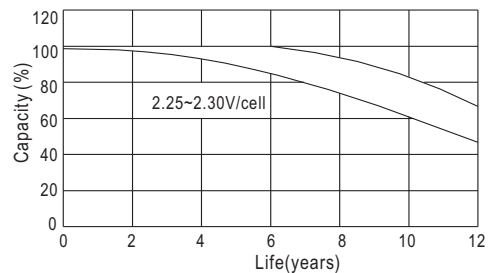
### The Relationship for Open Circuit Voltage and Residual Capacity (25°C)



### Charging Characteristics(25°C)



### Floating Life Characteristics (25°C)



### Constant Current Discharge Characteristics (A, 25°C)

F.V/TIME	5min	10min	15min	30min	60min	3h	5h	10h	20h
9.60V	465	315	262	160	97.5	38.9	27.6	15.3	7.90
10.2V	442	299	252	154	93.6	38.3	27.2	15.2	7.90
10.8V	415	281	239	146	88.9	37.5	26.7	15.0	7.85

### Constant Power Discharge Characteristics (Watt, 25°C)

5min	10min	15min	30min	60min	3h	5h	10h	20h
4883	3402	2877	1795	1112	457	326	183	94.8
4638	3232	2762	1723	1067	450	322	181	94.8
4360	3038	2624	1637	1014	441	316	179	94.2