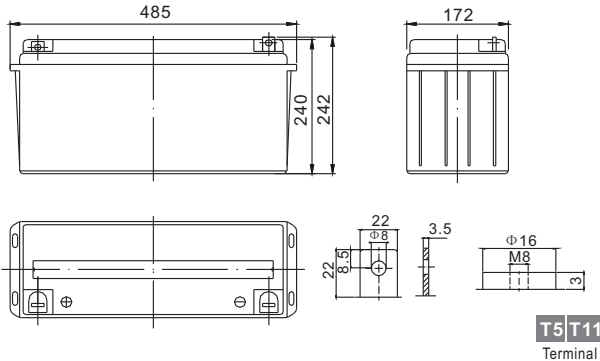


Long Life Series

LFP12150L 12V150Ah

FirstPower®

Dimension(mm)



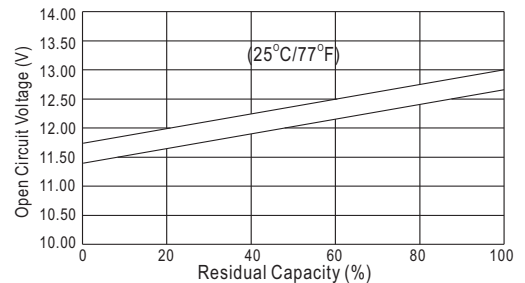
Specification

Nominal Voltage		12 V
Capacity(10HR, 25°C)		150 Ah
Dimension	Length	485mm (19.1inch)
	Width	172mm (6.8inch)
	Height	240mm (9.4inch)
	Total Height(T5/T11)	242mm (9.5inch)/240mm (9.4inch)
Approx. Weight		48kg (105.8lbs)

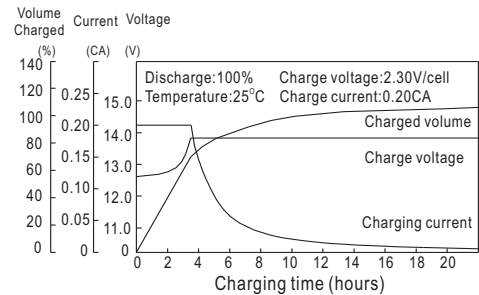
Characteristics

Capacity 20°C (68□) To 1.70V/Cell	20 hour rate	158.4Ah
	10 hour rate	150Ah
	5 hour rate	135Ah
	1 hour rate	90.7Ah
	15 min rate	58.3Ah
Internal resistance(Fully charged, 25°C)		Approx.3.7mΩ
Capacity affected by temperature (10HR)	40°C	102%
	25°C	100%
	0°C	85%
	-15°C	65%
Self-discharge (25°C)	3 month	Remaining Capacity: 91%
	6 month	Remaining Capacity: 82%
	12 month	Remaining Capacity: 65%
Nominal operating temperature		25°C ±3°C(77°F ±5°F)
Operating temperature range		-15°C~50°C(5°F~122°F)
Float charging voltage(25°C)		13.50 to 13.80V
Cyclic charging voltage(25°C)		14.50 to 14.90V
Maximum charging current		45A
Terminal material		Copper
Maximum discharge current		1200A(5 sec.)

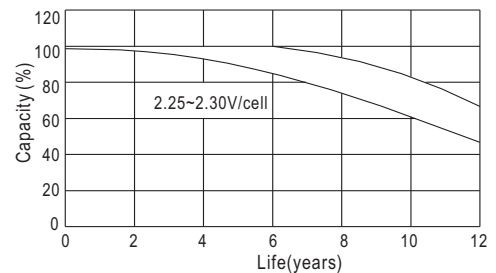
The Relationship for Open Circuit Voltage and Residual Capacity (25°C)



Charging Characteristics(25°C)



Floating Life Characteristics (25°C)



Constant Current Discharge Characteristics (A, 25°C)

F.V/TIME	5min	10min	15min	30min	60min	3h	5h	10h	20h
9.60V	458	306	243	153	94.5	38.8	27.4	15.2	7.99
10.2V	435	290	233	147	90.7	38.3	27.0	15.1	7.92
10.8V	409	273	221	139	86.2	37.5	26.5	15.0	7.88

Constant Power Discharge Characteristics (Watt, 25°C)

5min	10min	15min	30min	60min	3h	5h	10h	20h
4812	3300	2663	1715	1077	457	324	182	95.9
4572	3135	2557	1647	1034	450	319	180	95.1
4297	2947	2429	1564	982	441	313	180	94.5