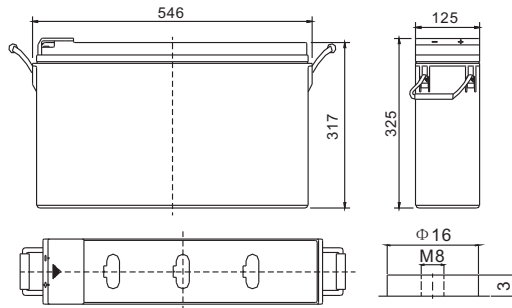


Long Life Series

LFP12180FT 12V180Ah

FirstPower®

Dimension(mm)



T11
Terminal



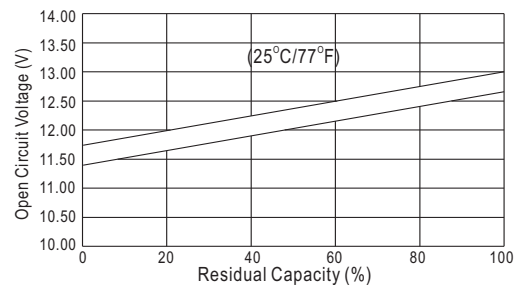
Specification

Nominal Voltage		12 V
Capacity(10HR, 25°C)		180 Ah
Dimension	Length	546mm (21.5inch)
	Width	125mm (4.9inch)
	Height	317mm (12.5inch)
	Total Height	325mm (12.7inch)
Approx. Weight		59kg (130lbs)

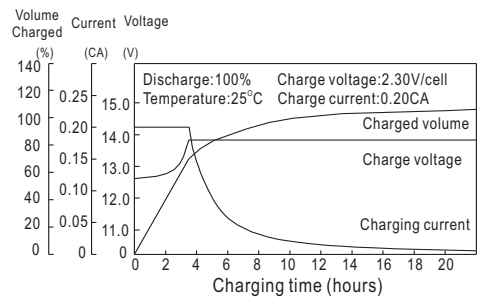
Characteristics

Capacity 20°C (68□) To 1.70V/Cell	20 hour rate	191Ah
	10 hour rate	180Ah
	5 hour rate	163Ah
	1 hour rate	108Ah
	15 min rate	71.3Ah
Internal resistance(Fully charged, 25°C)		Approx 3.3mΩ
Capacity affected by temperature (10HR)	40°C	102%
	25°C	100%
	0°C	85%
	-15°C	65%
Self-discharge (25°C)	3 month	Remaining Capacity: 91%
	6 month	Remaining Capacity: 82%
	12 month	Remaining Capacity: 65%
Nominal operating temperature		25°C ±3°C(77°F ±5°F)
Operating temperature range		-15°C~50°C(5°F~122°F)
Float charging voltage(25°C)		13.50 to 13.80V
Cyclic charging voltage(25°C)		14.50 to 14.90V
Maximum charging current		54A
Terminal material		Copper
Maximum discharge current		1400A(5 sec.)

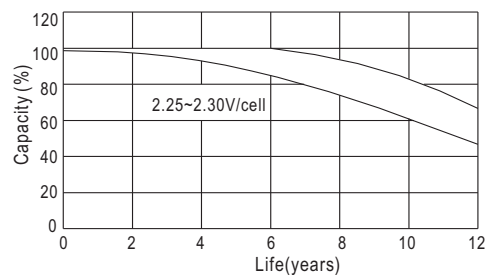
The Relationship for Open Circuit Voltage and Residual Capacity (25°C)



Charging Characteristics(25°C)



Floating Life Characteristics (25°C)



Constant Current Discharge Characteristics (A, 25°C)

F.V/TIME	5min	10min	15min	30min	60min	3h	5h	10h	20h
9.60V	567	378	297	187	113	45.7	33.0	18.3	9.64
10.2V	538	359	285	179	108	45.0	32.5	18.1	9.56
10.8V	505	336	270	170	103	44.1	31.9	18.0	9.50

Constant Power Discharge Characteristics (Watt, 25°C)

5min	10min	15min	30min	60min	3h	5h	10h	20h
5954	4082	3261	2098	1288	537	390	218	116
5649	3877	3129	2008	1231	529	384	216	115
5302	3629	2965	1907	1174	519	376	216	115