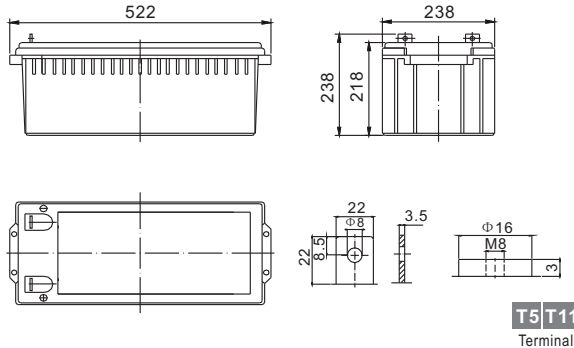


# Long Life Series

## LFP12200L 12V200Ah

**FirstPower®**

### Dimension(mm)



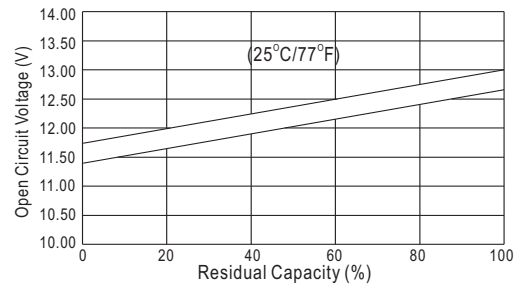
### Specification

Nominal Voltage		12 V
Capacity(10HR, 25°C)		200Ah
Dimension	Length	522mm (20.6inch)
	Width	238mm (9.4inch)
	Height	218mm (8.6inch)
	Total Height(T5/T11)	238mm (9.4inch)/221mm (8.7inch)
Approx. Weight		66kg (145.2lbs)

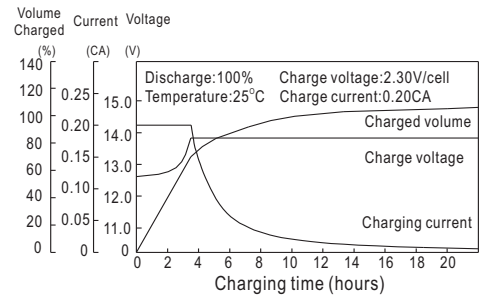
### Characteristics

Capacity 20°C (68°F) To 1.70V/Cell	20 hour rate	206Ah
	10 hour rate	200Ah
	5 hour rate	185Ah
	1 hour rate	125Ah
	15 min rate	87Ah
Internal resistance(Fully charged, 25°C)		Approx.3.5mΩ
Capacity affected by temperature (10HR)	40°C	102%
	25°C	100%
	0°C	85%
	-15°C	65%
Self-discharge (25°C)	3 month	Remaining Capacity: 91%
	6 month	Remaining Capacity: 82%
	12 month	Remaining Capacity: 65%
Nominal operating temperature		25°C ±3°C(77°F ±5°F)
Operating temperature range		-15°C~50°C(5°F~122°F)
Float charging voltage(25°C)		13.50 to 13.80V
Cyclic charging voltage(25°C)		14.50 to 14.90V
Maximum charging current		60A
Terminal material		Copper
Maximum discharge current		1500A(5 sec.)

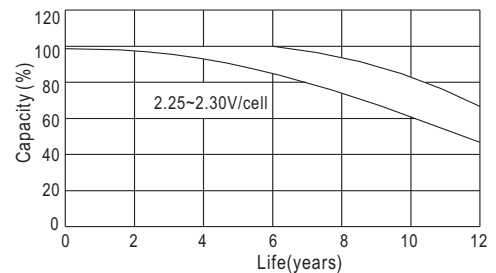
### The Relationship for Open Circuit Voltage and Residual Capacity (25°C)



### Charging Characteristics(25°C)



### Floating Life Characteristics (25°C)



### Constant Current Discharge Characteristics (A, 25°C)

F.V/TIME	5min	10min	15min	30min	60min	3h	5h	10h	20h
9.60V	631	417	363	206	130	55.0	38.2	20.3	10.4
10.2V	599	396	348	198	125	53.5	37.0	20.1	10.3
10.8V	563	372	331	188	119	52.4	36.3	20.0	10.2

### Constant Power Discharge Characteristics (Watt, 25°C)

5min	10min	15min	30min	60min	3h	5h	10h	20h
6620	4505	3981	2309	1482	639	444	242	124
6289	4279	3822	2217	1423	629	437	240	123
5912	4023	3631	2106	1352	617	429	240	122