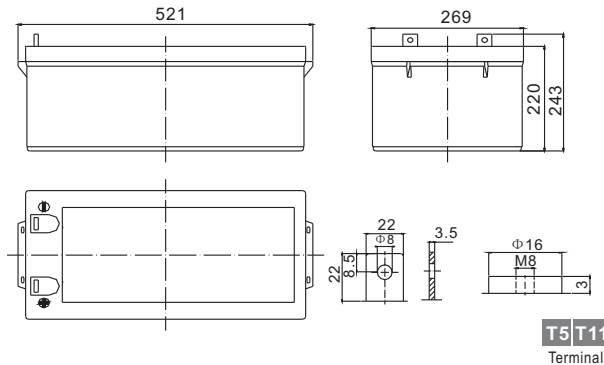


Long Life Series

LFP12250L 12V250Ah

FirstPower®

Dimension(mm)



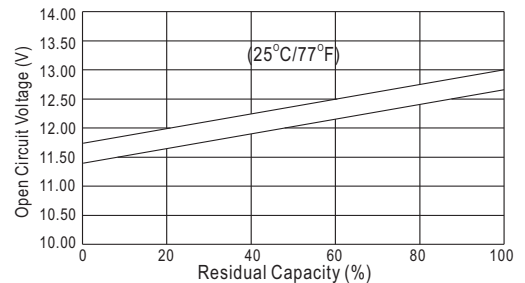
Specification

Nominal Voltage		12 V
Capacity(10HR, 25°C)		250 Ah
Dimension	Length	521mm (20.5inch)
	Width	269mm (10.6inch)
	Height	220mm (8.7inch)
	Total Height(T5/T11)	242mm (9.5inch)/223mm (8.8inch)
Approx. Weight		80kg (176lbs)

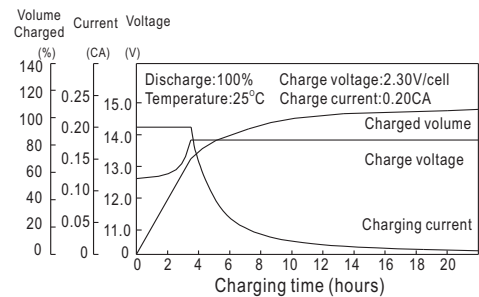
Characteristics

Capacity 20°C (68°F) To 1.70V/Cell	20 hour rate	264Ah
	10 hour rate	250Ah
	5 hour rate	225Ah
	1 hour rate	151Ah
	15 min rate	97Ah
Internal resistance(Fully charged, 25°C)		Approx. 2.8m Ω
Capacity affected by temperature (10HR)	40°C	102%
	25°C	100%
	0°C	85%
	-15°C	65%
Self-discharge (25°C)	3 month	Remaining Capacity: 91%
	6 month	Remaining Capacity: 82%
	12 month	Remaining Capacity: 65%
Nominal operating temperature		25°C ±3°C(77°F ±5°F)
Operating temperature range		-15°C~50°C(5°F~122°F)
Float charging voltage(25°C)		13.50 to 13.80V
Cyclic charging voltage(25°C)		14.50 to 14.90V
Maximum charging current		75A
Terminal material		Copper
Maximum discharge current		1800A(5 sec.)

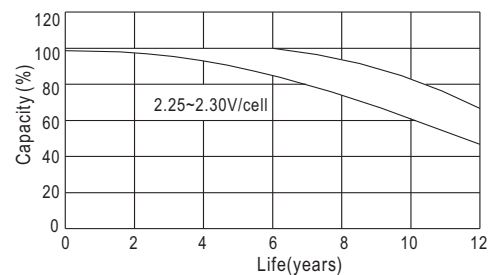
The Relationship for Open Circuit Voltage and Residual Capacity (25°C)



Charging Characteristics(25°C)



Floating Life Characteristics (25°C)



Constant Current Discharge Characteristics (A, 25°C)

F.V/TIME	5min	10min	15min	30min	60min	3h	5h	10h	20h
9.60V	764	509	404	255	158	64.7	45.7	25.4	13.3
10.2V	726	484	388	245	151	63.8	45.0	25.2	13.2
10.8V	682	455	369	232	144	62.5	44.1	25.0	13.1

Constant Power Discharge Characteristics (Watt, 25°C)

5min	10min	15min	30min	60min	3h	5h	10h	20h
8021	5500	4439	2859	1796	761	540	303	160
7620	5225	4261	2745	1724	750	532	300	158
7162	4911	4048	2607	1637	735	521	300	158