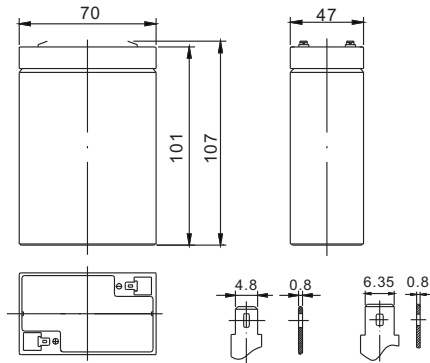


High Rate Series FP645HR (6V19Watts/cell@15min.Rate)

FirstPower®

Dimension(mm)



T1 T2
Terminal



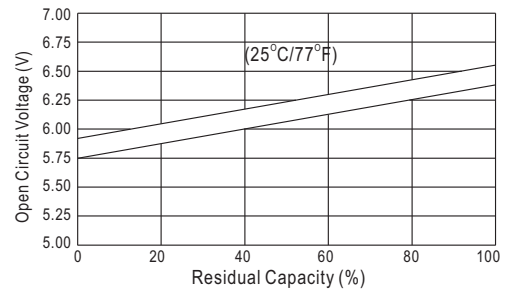
Specification

Nominal Voltage		6V
Capacity(20HR, 25°C)		4.5Ah(19Watts/cell@15min.Rate)
Dimension	Length	70mm (2.8inch)
	Width	47mm (1.9inch)
	Height	101mm (4.0inch)
	Total Height	107mm(4.2inch)
Approx. Weight		0.83kg (1.83lbs)

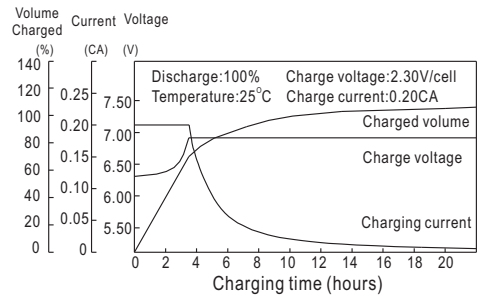
Characteristics

Capacity 20°C (68□) To 1.70V/Cell	20 hour rate	4.5Ah
	10 hour rate	4.3Ah
	5 hour rate	4.0Ah
	1 hour rate	3.16Ah
	15 min rate	2.42Ah
Internal resistance(Fully charged, 25°C)		Approx. 20mΩ
Capacity affected by temperature (20HR)	40°C	102%
	25°C	100%
	0°C	85%
	-15°C	65%
Self-discharge (25°C)	3 month	Remaining Capacity: 91%
	6 month	Remaining Capacity: 82%
	12 month	Remaining Capacity: 65%
Nominal operating temperature		25°C ±3°C(77°F ±5°F)
Operating temperature range		-15°C ~50°C (5°F ~122°F)
Float charging voltage(25°C)		6.80 to 6.90V
Cyclic charging voltage(25°C)		7.25 to 7.45V
Maximum charging current		1.35A
Terminal material		Copper
Maximum discharge current		67.5A(5 sec.)

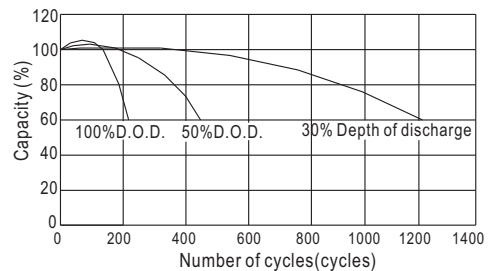
The Relationship for Open Circuit Voltage and Residual Capacity (25°C)



Charging Characteristics(25°C)



Cycle Life(25°C)



Constant Current Discharge Characteristics (A, 25°C)

F.V/TIME	5min	10min	15min	30min	60min	3h	5h	10h	20h
1.60V/cell	20.9	13.3	10.1	5.74	3.29	1.16	0.80	0.43	0.23
1.67V/cell	20.2	12.9	9.82	5.60	3.21	1.15	0.79	0.43	0.23
1.70V/cell	19.8	12.6	9.67	5.51	3.16	1.15	0.79	0.43	0.23
1.80V/cell	18.6	11.9	9.19	5.24	3.00	1.12	0.77	0.42	0.23

Constant Power Discharge Characteristics (Watt/Cell, 25°C)

F.V/TIME	5min	10min	15min	30min	60min	3h	5h	10h	20h
39.3	25.3	19.5	11.2	6.41	2.33	1.60	0.86	0.46	
38.0	24.5	19.1	10.9	6.25	2.31	1.58	0.85	0.45	
37.3	24.0	18.8	10.7	6.16	2.30	1.58	0.85	0.45	
35.1	22.6	17.8	10.2	5.85	2.25	1.54	0.85	0.45	