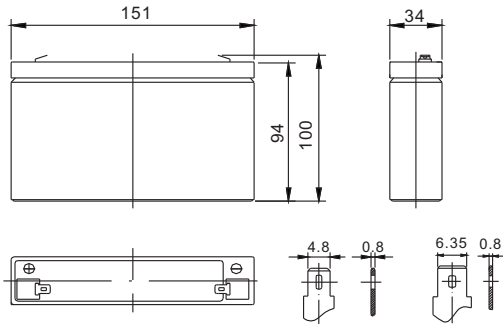


# High Rate Series FP690HR (6V34Watts/cell@15min.Rate)

**FirstPower®**

## Dimension(mm)



T1 T2  
Terminal



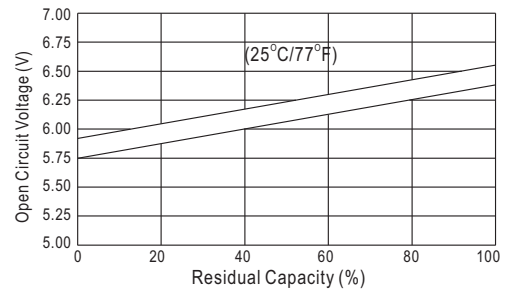
## Specification

Nominal Voltage		6 V
Capacity(20HR, 25°C)		9Ah(34Watts/cell@15min.Rate)
Dimension	Length	151mm (5.9inch)
	Width	34mm (1.3inch)
	Height	94mm (3.7inch)
	Total Height	100mm (3.9inch)
Approx. Weight		1.40kg (3.09lbs)

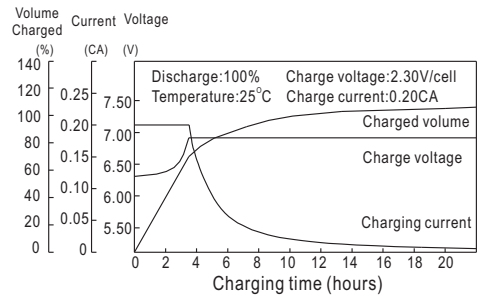
## Characteristics

Capacity 20°C (68□) To 1.70V/Cell	20 hour rate	9Ah
	10 hour rate	8.5Ah
	5 hour rate	7.9Ah
	1 hour rate	5.72Ah
	15 min rate	4.4Ah
Internal resistance(Fully charged, 25°C)		Approx. 12.5m Ω
Capacity affected by temperature (20HR)	40°C	102%
	25°C	100%
	0°C	85%
	-15°C	65%
Self-discharge (25°C)	3 month	Remaining Capacity: 91%
	6 month	Remaining Capacity: 82%
	12 month	Remaining Capacity: 65%
Nominal operating temperature		25°C ±3°C(77°F ±5°F)
Operating temperature range		-15°C ~50°C (5°F ~122°F)
Float charging voltage(25°C)		6.80 to 6.90V
Cyclic charging voltage(25°C)		7.25 to 7.45V
Maximum charging current		2.7A
Terminal material		Copper
Maximum discharge current		135A(5 sec.)

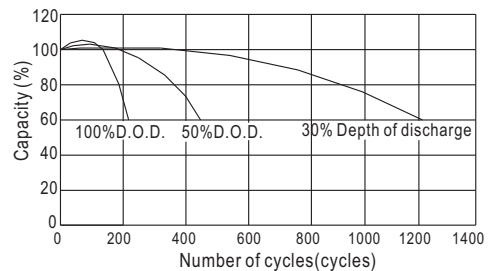
## The Relationship for Open Circuit Voltage and Residual Capacity (25°C)



## Charging Characteristics(25°C)



## Cycle Life(25°C)



## Constant Current Discharge Characteristics (A, 25°C)

F.V/TIME	5min	10min	15min	30min	60min	3h	5h	10h	20h
1.60V/cell	37.8	24.1	18.2	10.4	5.95	2.33	1.60	0.86	0.46
1.67V/cell	36.6	23.3	17.8	10.1	5.80	2.31	1.58	0.85	0.45
1.70V/cell	35.9	22.9	17.5	10.0	5.72	2.30	1.58	0.85	0.45
1.80V/cell	33.8	21.5	16.6	9.48	5.43	2.25	1.54	0.85	0.45

## Constant Power Discharge Characteristics (Watt/Cell, 25°C)

5min	10min	15min	30min	60min	3h	5h	10h	20h
71.1	45.8	35.4	20.3	11.6	4.66	3.20	1.72	0.91
68.8	44.3	34.5	19.8	11.3	4.62	3.17	1.71	0.91
67.5	43.5	34.0	19.5	11.1	4.59	3.15	1.70	0.91
63.5	40.9	32.3	18.5	10.6	4.50	3.09	1.70	0.90