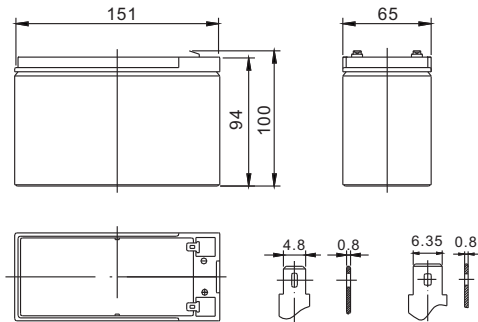


High Rate Series FP1270HR (12V31Watts/cell@15min.Rate)

FirstPower®

Dimension(mm)



T1 T2
Terminal



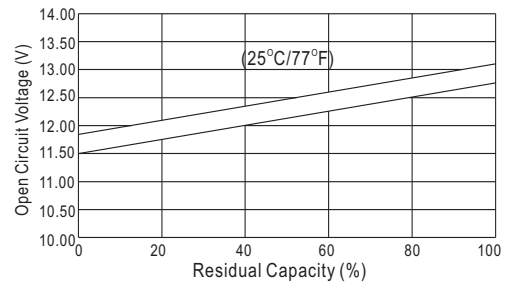
Specification

Nominal Voltage	12 V	
Capacity(20HR, 25°C)	7Ah(31Watts/cell@15min.Rate)	
Dimension	Length	151mm (5.9inch)
	Width	65mm (2.6inch)
	Height	94mm (3.7inch)
	Total Height(T1/T2)	100mm (3.9inch)
Approx. Weight	2.45kg (5.40lbs)	

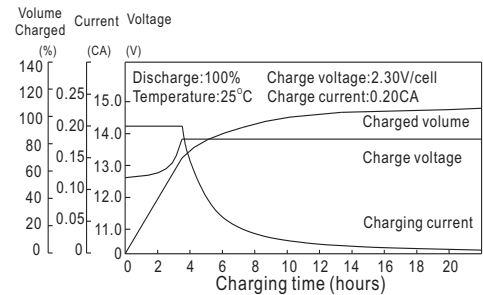
Characteristics

Capacity 20°C (68□) To 1.70V/Cell	20 hour rate	7Ah
	10 hour rate	6.6Ah
	5 hour rate	6.15Ah
	1 hour rate	5.16Ah
	15 min rate	3.95Ah
Internal resistance(Fully charged, 25°C)	Approx. 20m Ω	
Capacity affected by temperature (20HR)	40°C	102%
	25°C	100%
	0°C	85%
	-15°C	65%
Self-discharge (25°C)	3 month	Remaining Capacity: 91%
	6 month	Remaining Capacity: 82%
	12 month	Remaining Capacity: 65%
Nominal operating temperature	25°C ±3°C(77°F ±5°F)	
Operating temperature range	-15°C ~50°C (5°F ~122°F)	
Float charging voltage(25°C)	13.50 to 13.80V	
Cyclic charging voltage(25°C)	14.50 to 14.90V	
Maximum charging current	2.1A	
Terminal material	Copper	
Maximum discharge current	105A(5 sec.)	

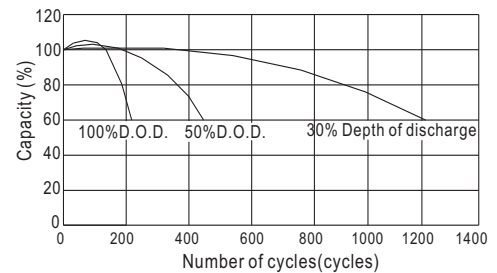
The Relationship for Open Circuit Voltage and Residual Capacity (25°C)



Charging Characteristics(25°C)



Cycle Life(25°C)



Constant Current Discharge Characteristics (A, 25°C)

F.V/TIME	5min	10min	15min	30min	60min	3h	5h	10h	20h
1.60V/cell	34.2	21.8	16.5	9.39	5.38	1.81	1.24	0.67	0.36
1.67V/cell	33.1	21.1	16.1	9.16	5.25	1.80	1.23	0.66	0.35
1.70V/cell	32.5	20.7	15.8	9.02	5.16	1.79	1.23	0.66	0.35
1.80V/cell	30.5	19.4	15.0	8.57	4.91	1.75	1.20	0.66	0.35

Constant Power Discharge Characteristics (Watt/Cell, 25°C)

F.V/TIME	5min	10min	15min	30min	60min	3h	5h	10h	20h
1.60V/cell	64.2	41.4	32.0	18.3	10.5	3.62	2.49	1.34	0.71
1.67V/cell	62.2	40.1	31.2	17.9	10.2	3.59	2.46	1.33	0.71
1.70V/cell	61.0	39.3	30.7	17.6	10.1	3.57	2.45	1.32	0.70
1.80V/cell	57.3	36.9	29.2	16.7	9.57	3.50	2.40	1.32	0.70