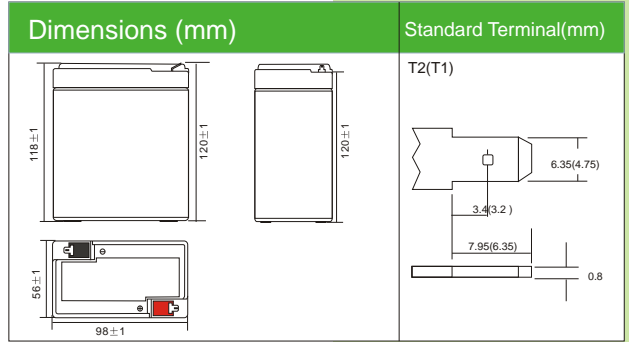
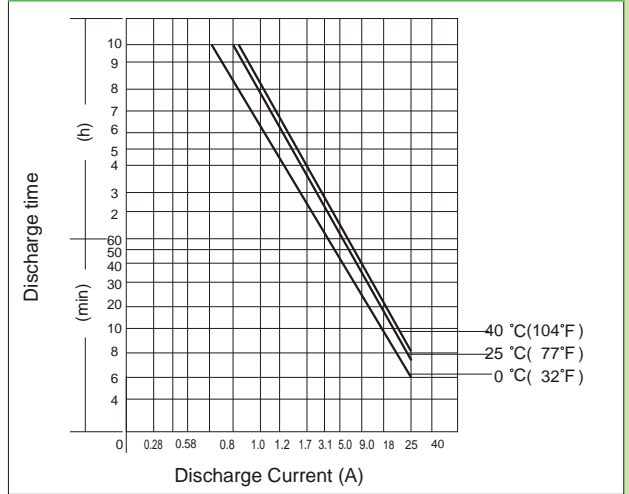




# DJW6-8.5(6V9.0AH)



## Discharging Current & Discharge Duration Time



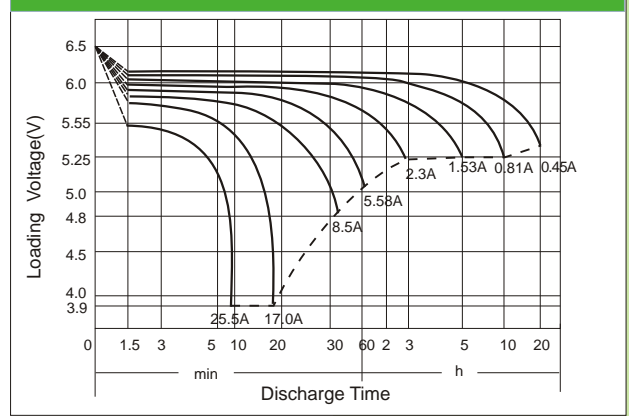
## Physical Specification

Nominal Voltage	6V	
Nominal Capacity (20HR)	9.0AH	
Dimension	Length	98 ± 1mm (3.86 inches)
	Width	56 ± 1mm (2.20 inches)
	Container Height	118 ± 1mm (4.65 inches)
	Total Height (with Terminal)	120 ± 1mm (4.72 inches)
Weight	Approx 1.52kg (3.35lbs)	
Standard Terminal	T2/T1(standard)	

## Electrical Specification

Rated Capacity	20 hour rate (450mA)	9.0AH	Constant-Voltage Charge	Cycle	Initial Charging Current less than 2.55A. Voltage 7.20V~ 7.50V at 25°C (77°F) Temp. Coefficient -15mV/C
	10 hour rate (810mA)	8.1AH			
	5 hour rate (1.53A)	7.65AH			
	1 hour rate (5.58A)	5.58AH			
	15minute rate (17.6 A)	4.4AH			
Capacity affected by Temperature	40C (104F)	103%	Standby	No limit on Initial Charging Current Voltage 6.75V~6.90V at 25°C (77°F) Temp. Coefficient - 10mV/C	
	25C (77F)	100%			
	0C (32F)	86%			

## Discharge Characteristics (25°C, 77°F)



## Constant Current (Amp) and Constant Power (Watt) Discharge Table (25°C, 77°F)

Time(minute) Final voltage/Cell	5	10	15	20	30	45	60	120	180	300	600	1200
Amp/Watt/Cell	1.3	1.3	1.3	1.3	1.6	1.6	1.67	1.7	1.75	1.75	1.75	1.8
A	36.00	25.65	17.64	14.40	10.35	7.20	5.58	3.15	2.30	1.53	0.81	0.45
W	64.44	48.24	33.57	28.17	20.34	14.31	11.07	6.26	4.56	3.06	1.62	0.90