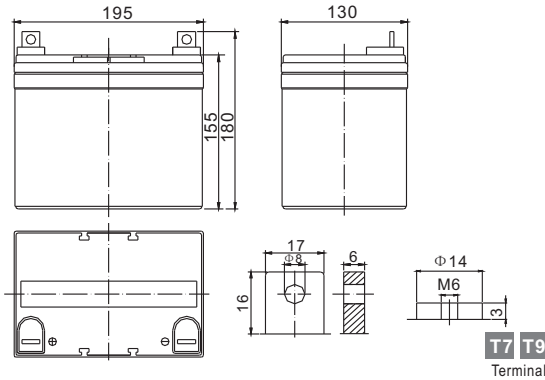


High Rate Series LFP1233HR

(12V125Watts/cell@15min.Rate)

FirstPower®

Dimension(mm)



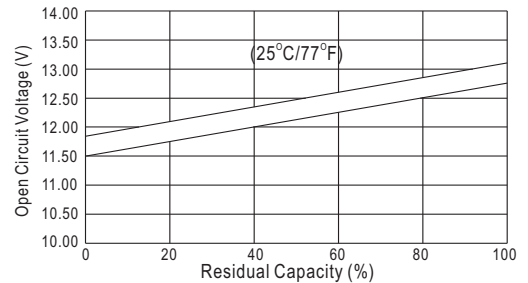
Specification

Nominal Voltage		12 V
Capacity(10HR, 25°C)		33Ah(125Watts/cell@15min.Rate)
Dimension	Length	195mm (7.7inch)
	Width	130mm (5.1inch)
	Height	155mm (6.1inch)
	Total Height(T7/T9)	180mm (7.1inch)/166mm (6.6inch)
Approx. Weight		10.7kg (23.5lbs)

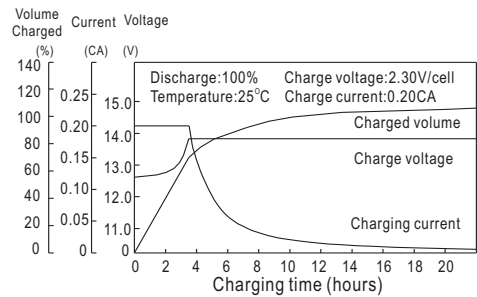
Characteristics

Capacity 20°C (68□) To 1.70V/Cell	20 hour rate	34.8Ah
	10 hour rate	33Ah
	5 hour rate	29.7Ah
	1 hour rate	22.9Ah
	15 min rate	16.5Ah
Internal resistance(Fully charged, 25°C)		Approx. 9.7mΩ
Capacity affected by temperature (10HR)	40°C	102%
	25°C	100%
	0°C	85%
	-15°C	65%
Self-discharge (25°C)	3 month	Remaining Capacity: 91%
	6 month	Remaining Capacity: 82%
	12 month	Remaining Capacity: 65%
Nominal operating temperature		25°C ±3°C(77°F ±5°F)
Operating temperature range		-15°C ~50°C (5°F ~122°F)
Float charging voltage(25°C)		13.50 to 13.80V
Cyclic charging voltage(25°C)		14.50 to 14.90V
Maximum charging current		9.9A
Terminal material		Lead
Maximum discharge current		330A(5 sec.)

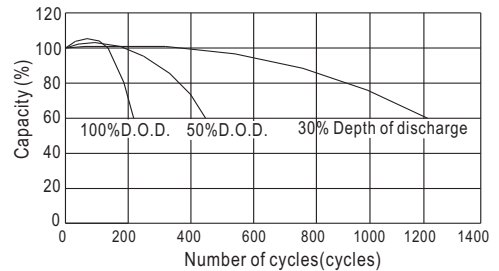
The Relationship for Open Circuit Voltage and Residual Capacity (25°C)



Charging Characteristics(25°C)



Cycle Life(25°C)



Constant Current Discharge Characteristics (A, 25°C)

F.V/TIME	5min	10min	15min	30min	60min	3h	5h	10h	20h
1.60V/cell	128	84.2	68.5	38.8	23.8	8.54	6.03	3.35	1.76
1.67V/cell	124	81.6	66.8	37.9	23.2	8.47	5.98	3.34	1.75
1.70V/cell	122	80.0	65.8	37.3	22.9	8.42	5.94	3.32	1.74
1.80V/cell	114	75.2	62.5	35.4	21.7	8.25	5.82	3.30	1.73

Constant Power Discharge Characteristics (Watt/Cell, 25°C)

5min	10min	15min	30min	60min	3h	5h	10h	20h
231	156	130	72.6	45.2	16.7	11.9	6.67	3.52
223	151	127	70.8	44.1	16.6	11.8	6.65	3.51
219	148	125	69.7	43.4	16.5	11.7	6.61	3.49
206	139	119	66.2	41.3	16.2	11.5	6.61	3.47