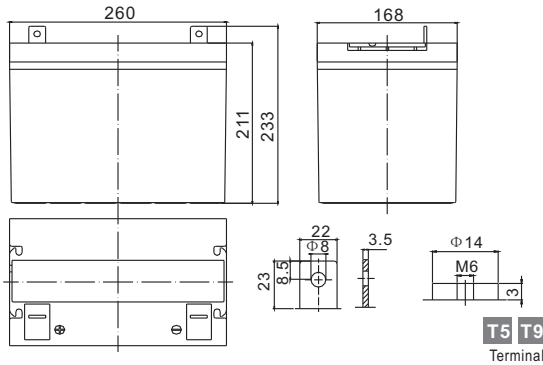


High Rate Series LFP1270HR

(12V250Watts/cell@15min.Rate)

FirstPower®

Dimension(mm)



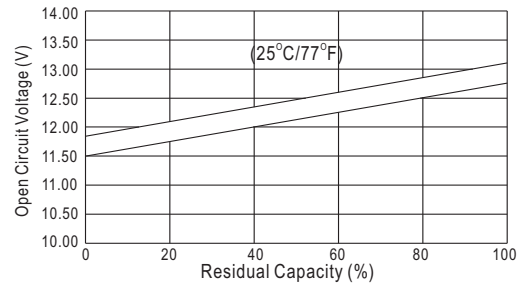
Specification

Nominal Voltage		12 V
Capacity(10HR, 25°C)		70Ah(250Watts/cell@15min.Rate)
Dimension	Length	260mm (10.2inch)
	Width	168mm (6.6inch)
	Height	211mm (8.3inch)
	Total Height(T5/T9)	233mm (9.2inch)/214mm (8.4inch)
Approx. Weight		24kg (52.9lbs)

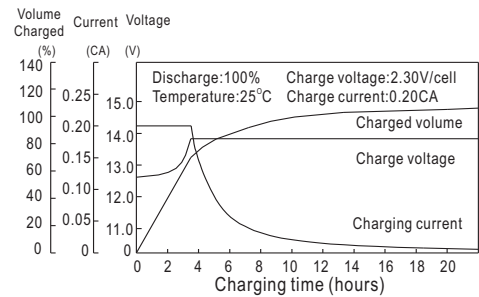
Characteristics

Capacity 20°C (68□) To 1.70V/Cell	20 hour rate	74Ah
	10 hour rate	70Ah
	5 hour rate	72Ah
	1 hour rate	46.3Ah
	15 min rate	33.3Ah
Internal resistance(Fully charged, 25°C)		Approx. 5.5m Ω
Capacity affected by temperature (10HR)	40°C	102%
	25°C	100%
	0°C	85%
	-15°C	65%
Self-discharge (25°C)	3 month	Remaining Capacity: 91%
	6 month	Remaining Capacity: 82%
	12 month	Remaining Capacity: 65%
Nominal operating temperature		25°C ±3°C(77°F ±5°F)
Operating temperature range		-15°C ~50°C (5°F ~122°F)
Float charging voltage(25°C)		13.50 to 13.80V
Cyclic charging voltage(25°C)		14.50 to 14.90V
Maximum charging current		21A
Terminal material		Copper
Maximum discharge current		700A(5 sec.)

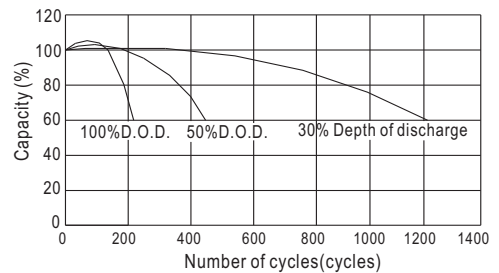
The Relationship for Open Circuit Voltage and Residual Capacity (25°C)



Charging Characteristics(25°C)



Cycle Life(25°C)



Constant Current Discharge Characteristics (A, 25°C)

F.V/TIME	5min	10min	15min	30min	60min	3h	5h	10h	20h
1.60V/cell	260	171	139	78.7	48.2	18.1	12.8	7.11	3.73
1.67V/cell	251	165	135	76.7	47.0	18.0	12.7	7.08	3.72
1.70V/cell	247	162	133	75.5	46.3	17.9	12.6	7.04	3.70
1.80V/cell	232	152	127	71.7	44.0	17.5	12.3	7.00	3.68

Constant Power Discharge Characteristics (Watt/Cell, 25°C)

F.V/TIME	5min	10min	15min	30min	60min	3h	5h	10h	20h
1.60V/cell	467	316	264	147	91.6	35.5	25.2	14.1	7.46
1.67V/cell	453	306	257	143	89.3	35.2	25.0	14.1	7.44
1.70V/cell	444	300	253	141	88.0	35.0	24.8	14.0	7.39
1.80V/cell	417	282	240	134	83.6	34.3	24.3	14.0	7.35