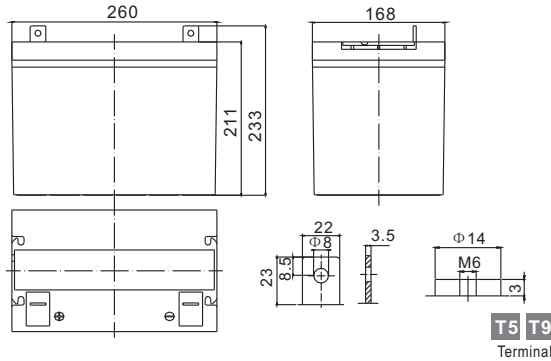


High Rate Series LFP1275HR (12V282Watts/cell@15min.Rate)

FirstPower®

Dimension(mm)



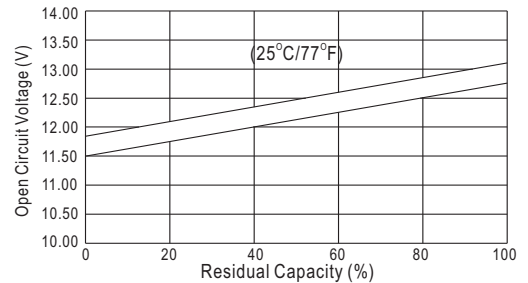
Specification

Nominal Voltage		12 V
Capacity(10HR, 25°C)		75Ah(282Watts/cell@15min.Rate)
Dimension	Length	260mm (10.2inch)
	Width	168mm (6.6inch)
	Height	211mm (8.3inch)
	Total Height(T5/T9)	233mm (9.2inch)/214mm (8.4inch)
Approx. Weight		24.5kg (53.9lbs)

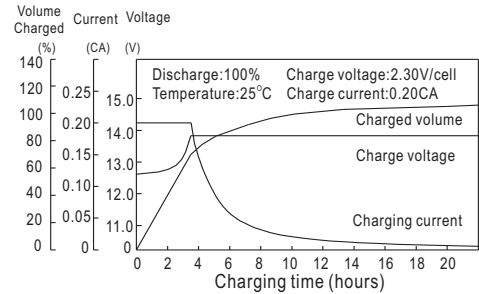
Characteristics

Capacity 20°C (68□) To 1.70V/Cell	20 hour rate	79Ah
	10 hour rate	75Ah
	5 hour rate	67.5Ah
	1 hour rate	46.8Ah
	15 min rate	33.8Ah
Internal resistance(Fully charged, 25°C)		Approx.5.3mΩ
Capacity affected by temperature (10HR)	40°C	102%
	25°C	100%
	0°C	85%
	-15°C	65%
Self-discharge (25°C)	3 month	Remaining Capacity: 91%
	6 month	Remaining Capacity: 82%
	12 month	Remaining Capacity: 65%
Nominal operating temperature		25°C ±3°C(77°F ±5°F)
Operating temperature range		-15°C~50°C(5°F~122°F)
Float charging voltage(25°C)		13.50 to 13.80V
Cyclic charging voltage(25°C)		14.50 to 14.90V
Maximum charging current		22.5A
Terminal material		Copper
Maximum discharge current		800A(5 sec.)

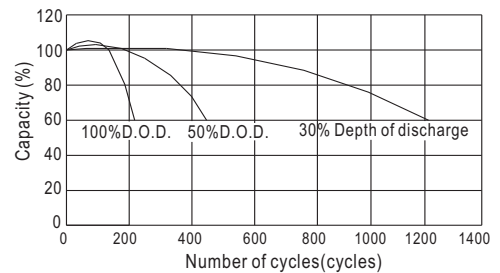
The Relationship for Open Circuit Voltage and Residual Capacity (25°C)



Charging Characteristics(25°C)



Cycle Life(25°C)



Constant Current Discharge Characteristics (A, 25°C)

F.V/TIME	5min	10min	15min	30min	60min	3h	5h	10h	20h
1.60V/cell	263	173	140	79.5	48.8	19.4	13.7	7.61	4
1.67V/cell	254	167	137	77.5	47.5	19.2	13.6	7.59	3.98
1.70V/cell	249	164	135	76.3	46.8	19.1	13.5	7.55	3.96
1.80V/cell	234	154	128	72.5	44.5	18.7	13.2	7.5	3.94

Constant Power Discharge Characteristics (Watt/Cell, 25°C)

5min	10min	15min	30min	60min	3h	5h	10h	20h
504	340	288	151	92.6	38	27	15.1	7.99
488	330	282	147	90.3	37.7	26.8	15.1	7.97
479	323	276	145	88.9	37.5	26.6	15	7.92
450	304	262	137	84.5	36.7	26.1	15	7.88