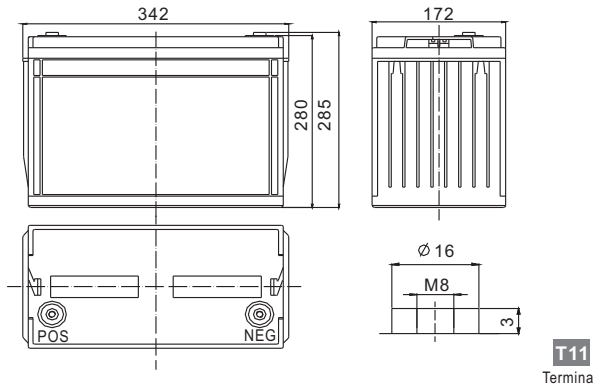


High Rate Series LFP12134HR (12V475Watts/cell@15min.Rate)

FirstPower®

Dimension(mm)



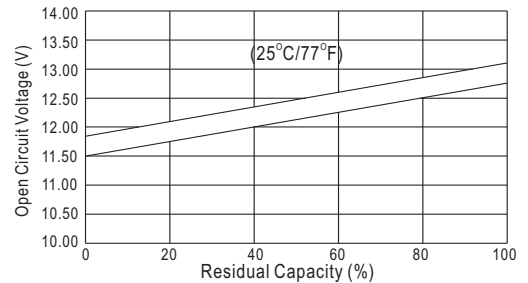
Specification

Nominal Voltage		12 V
Capacity(10HR, 25°C)		134Ah(475Watt/cell @15min rate)
Dimension	Length	342mm (13.5inch)
	Width	172mm (6.8inch)
	Height	280mm (11.0inch)
	Total Height	285mm (11.2inch)
Approx. Weight		43kg (94.8lbs)

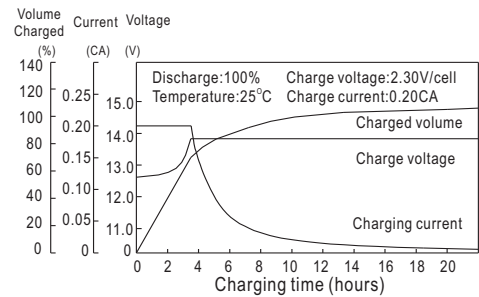
Characteristics

Capacity 20°C (68□) To 1.70V/Cell	20 hour rate	141.6Ah
	10 hour rate	134Ah
	5 hour rate	120.5Ah
	1 hour rate	83.6Ah
	15 min rate	60.3Ah
Internal resistance(Fully charged, 25°C)		Approx.3.8m Ω
Capacity affected by temperature (10HR)	40°C	102%
	25°C	100%
	0°C	85%
	-15°C	65%
Self-discharge (25°C)	3 month	Remaining Capacity: 91%
	6 month	Remaining Capacity: 82%
	12 month	Remaining Capacity: 65%
Nominal operating temperature		25°C ±3°C(77°F ±5°F)
Operating temperature range		-15°C~50°C(5°F~122°F)
Float charging voltage(25°C)		13.50 to 13.80V
Cyclic charging voltage(25°C)		14.50 to 14.90V
Maximum charging current		40A
Terminal material		Copper
Maximum discharge current		1050A(5 sec.)

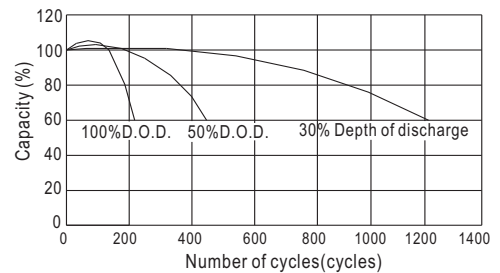
The Relationship for Open Circuit Voltage and Residual Capacity (25°C)



Charging Characteristics(25°C)



Cycle Life(25°C)



Constant Current Discharge Characteristics (A, 25°C)

F.V/TIME	5min	10min	15min	30min	60min	3h	5h	10h	20h
1.60V/cell	469	308	251	142	87.1	34.7	24.5	13.6	7.14
1.67V/cell	454	298	244	138	84.9	34.4	24.3	13.6	7.12
1.70V/cell	446	293	241	136	83.6	34.2	24.1	13.5	7.08
1.80V/cell	419	275	229	130	79.4	33.5	23.6	13.4	7.04

Constant Power Discharge Characteristics (Watt/Cell, 25°C)

5min	10min	15min	30min	60min	3h	5h	10h	20h
844	570	487	266	165	68	48.2	27.1	14.3
817	552	475	259	161	67.4	47.8	27	14.2
802	542	467	255	159	67	47.5	26.8	14.2
754	509	444	242	151	65.6	46.6	26.8	14.1