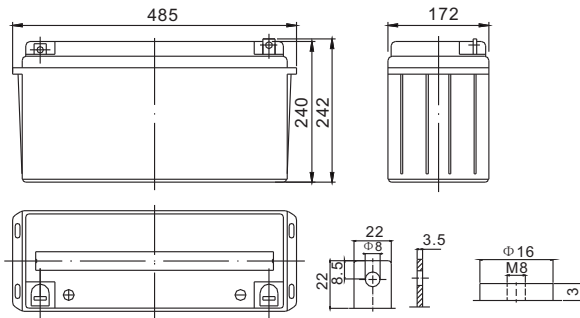


High Rate Series

LFP12150HR (12V535Watts/cell@15min.Rate)

FirstPower®

Dimension(mm)



T5 T11
Terminal



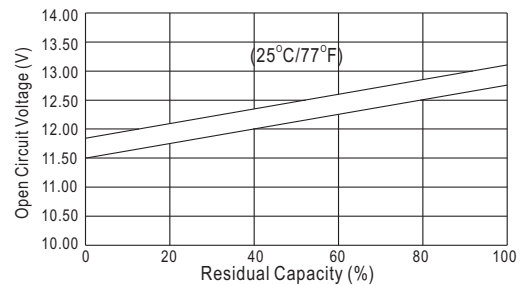
Specification

Nominal Voltage		12 V
Capacity(10HR, 25°C)		150Ah(535Watt/cell @15min rate)
Dimension	Length	485mm (19.1inch)
	Width	172mm (6.8inch)
	Height	240mm (9.4inch)
	Total Height(T5/T11)	242mm (9.5inch)/240mm (9.4inch)
Approx. Weight		47.5kg (104.7lbs)

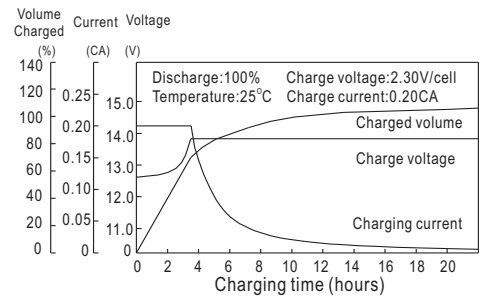
Characteristics

Capacity 20°C (68□) To 1.70V/Cell	20 hour rate	158.4Ah
	10 hour rate	150Ah
	5 hour rate	135Ah
	1 hour rate	98.3Ah
	15 min rate	70.8Ah
Internal resistance(Fully charged, 25°C)		Approx.3.5m Ω
Capacity affected by temperature (10HR)	40°C	102%
	25°C	100%
	0°C	85%
	-15°C	65%
Self-discharge (25°C)	3 month	Remaining Capacity: 91%
	6 month	Remaining Capacity: 82%
	12 month	Remaining Capacity: 65%
Nominal operating temperature		25°C ±3°C(77°F ±5°F)
Operating temperature range		-15°C ~50°C (5°F ~122°F)
Float charging voltage(25°C)		13.50 to 13.80V
Cyclic charging voltage(25°C)		14.50 to 14.90V
Maximum charging current		45A
Terminal material		Copper
Maximum discharge current		1200A(5 sec.)

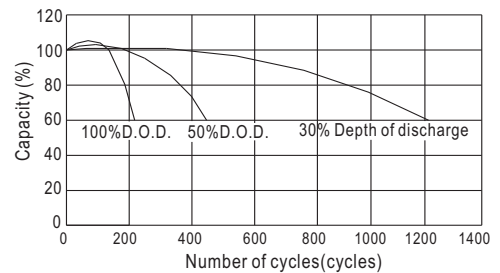
The Relationship for Open Circuit Voltage and Residual Capacity (25°C)



Charging Characteristics(25°C)



Cycle Life(25°C)



Constant Current Discharge Characteristics (A, 25°C)

F.V/TIME	5min	10min	15min	30min	60min	3h	5h	10h	20h
1.60V/cell	551	362	295	167	102	38.8	27.4	15.2	7.99
1.67V/cell	534	351	287	163	99.8	38.5	27.2	15.2	7.97
1.70V/cell	524	344	283	160	98.3	38.3	27	15.1	7.92
1.80V/cell	492	323	269	152	93.4	37.5	26.5	15	7.88

Constant Power Discharge Characteristics (Watt/Cell, 25°C)

5min	10min	15min	30min	60min	3h	5h	10h	20h
992	670	560	312	195	76.1	54	30.3	16
960	649	546	304	190	75.4	53.5	30.2	15.9
943	637	537	300	187	75	53.2	30	15.8
886	598	510	285	177	73.5	52.1	30	15.8