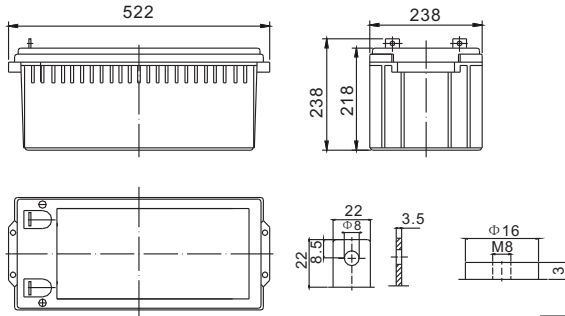


# High Rate Series LFP12200HR (12V710Watts/cell@15min.Rate)

**FirstPower®**

## Dimension(mm)



**T5 T11**  
Terminal



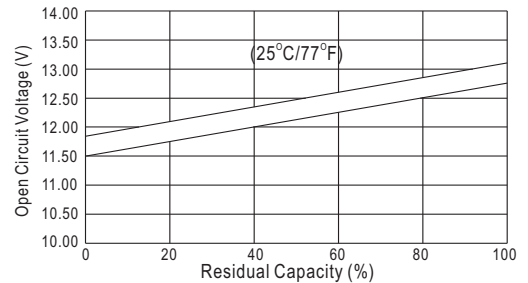
## Specification

Nominal Voltage		12 V
Capacity(10HR, 25°C)		200Ah(710Watt/cell @15min rate)
Dimension	Length	522mm (20.6inch)
	Width	238mm (9.4inch)
	Height	218mm (8.6inch)
	Total Height(T5/T11)	238mm (9.4inch)/221mm (8.7inch)
Approx. Weight		65kg (143.3lbs)

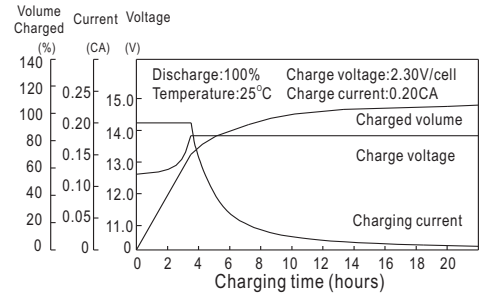
## Characteristics

Capacity 20°C (68□) To 1.70V/Cell	20 hour rate	212Ah
	10 hour rate	200Ah
	5 hour rate	180Ah
	1 hour rate	132Ah
	15 min rate	95.3Ah
Internal resistance(Fully charged, 25°C)		Approx. 3m Ω
Capacity affected by temperature (10HR)	40°C	102%
	25°C	100%
	0°C	85%
	-15°C	65%
Self-discharge (25°C)	3 month	Remaining Capacity: 91%
	6 month	Remaining Capacity: 82%
	12 month	Remaining Capacity: 65%
Nominal operating temperature		25°C ±3°C(77°F ±5°F)
Operating temperature range		-15°C ~50°C (5°F ~122°F)
Float charging voltage(25°C)		13.50 to 13.80V
Cyclic charging voltage(25°C)		14.50 to 14.90V
Maximum charging current		60A
Terminal material		Copper
Maximum discharge current		1600A(5 sec.)

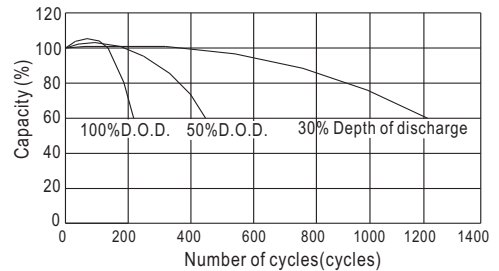
## The Relationship for Open Circuit Voltage and Residual Capacity (25°C)



## Charging Characteristics(25°C)



## Cycle Life(25°C)



## Constant Current Discharge Characteristics (A, 25°C)

F.V/TIME	5min	10min	15min	30min	60min	3h	5h	10h	20h
1.60V/cell	742	488	396	225	138	51.8	36.5	20.3	10.7
1.67V/cell	718	472	387	219	134	51.3	36.2	20.2	10.6
1.70V/cell	705	463	381	216	132	51	36	20.1	10.6
1.80V/cell	663	435	362	205	126	50	35.3	20	10.5

## Constant Power Discharge Characteristics (Watt/Cell, 25°C)

F.V/TIME	5min	10min	15min	30min	60min	3h	5h	10h	20h
1.60V/cell	1336	902	753	420	262	101	72	40.4	21.3
1.67V/cell	1293	873	734	410	255	101	71.3	40.3	21.3
1.70V/cell	1269	857	723	403	251	100	70.9	40	21.1
1.80V/cell	1193	806	687	383	239	98	69.5	40	21