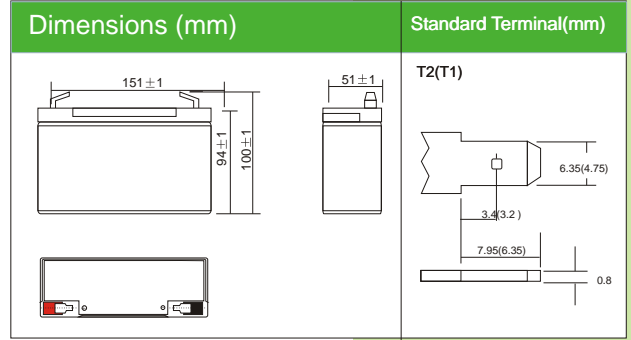
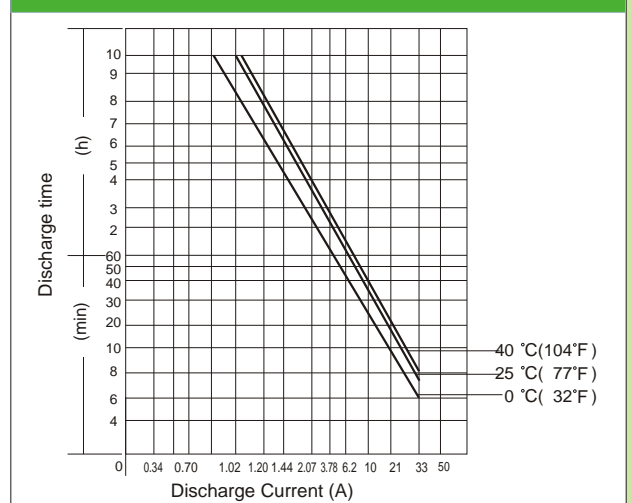




DJW6-10(6V10.5AH)



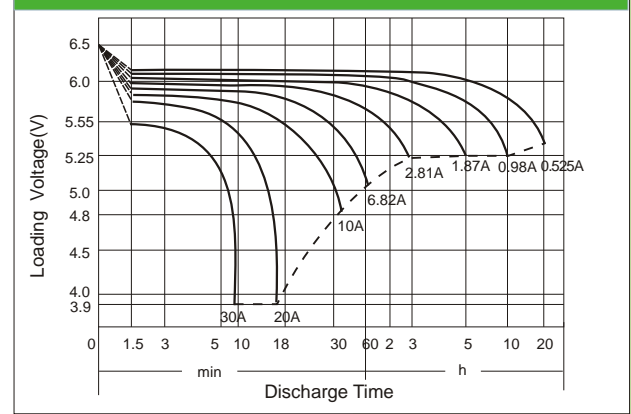
Discharging Current & Discharge Duration Time



PHYSICAL SPECIFICATION

| | | |
|-------------------------|------------------------------|-------------------------|
| Nominal Voltage | | 6V |
| Nominal Capacity (20HR) | | 10.5AH |
| Dimension | Length | 151 ± 1mm (5.95 inches) |
| | Width | 51 ± 1mm (2.01 inches) |
| | Container Height | 94 ± 1mm (3.70 inches) |
| | Total Height (with Terminal) | 100 ± 1mm (3.94 inches) |
| Weight | | Approx 1.8kg (3.97lbs) |
| Standard Terminal | | T2 /T1(standard) |

Discharge Characteristics (25°C, 77°F)



Electrical Specification

| | | | | | |
|----------------------------------|------------------------|--------|-------------------------|--|--|
| Rated Capacity | 20 hour rate (0.525 A) | 10.5AH | Constant-Voltage Charge | Cycle | Initial Charging Current less than 3.0A. Voltage 7.20V~ 7.50V at 25°C (77°F) Temp. Coefficient -15mV/C |
| | 10 hour rate (0.98 A) | 9.8AH | | | |
| | 5 hour rate (1.87A) | 9.35AH | | | |
| | 1 hour rate (6.82A) | 6.82AH | | | |
| Capacity affected by Temperature | 15minute rate (21.56A) | 5.39AH | Standby | No limit on Initial Charging Current Voltage 6.75V~6.90V at 25°C (77°F) Temp. Coefficient - 10mV/C | |
| | 40C (104F) | 103% | | | |
| | 25C (77F) | 100% | | | |
| | 0C (32F) | 86% | | | |

Constant Current (Amp) and Constant Power (Watt) Discharge Table (25°C, 77°F)

| Time(minute) Final voltage/Cell | 5 | 10 | 15 | 20 | 30 | 45 | 60 | 120 | 180 | 300 | 600 | 1200 |
|---------------------------------|-------|-------|-------|-------|-------|-------|-------|------|------|------|------|-------|
| Amp/Watt/Cell | 1.3 | 1.3 | 1.3 | 1.3 | 1.6 | 1.6 | 1.67 | 1.7 | 1.75 | 1.75 | 1.75 | 1.8 |
| A | 44.00 | 31.35 | 21.56 | 17.60 | 12.65 | 8.80 | 6.82 | 3.85 | 2.81 | 1.87 | 0.98 | 0.525 |
| W | 78.76 | 58.96 | 41.03 | 34.43 | 24.86 | 17.49 | 13.53 | 7.66 | 5.58 | 3.74 | 1.96 | 1.05 |