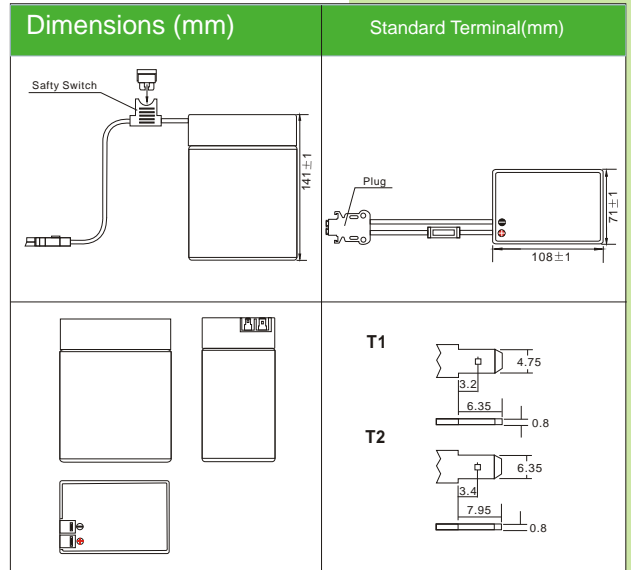


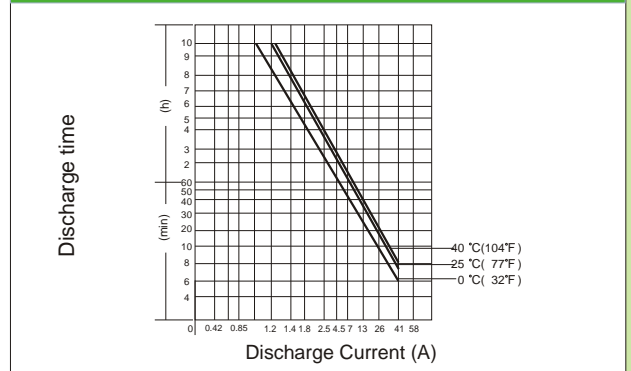


DJW6-13(6V13AH)



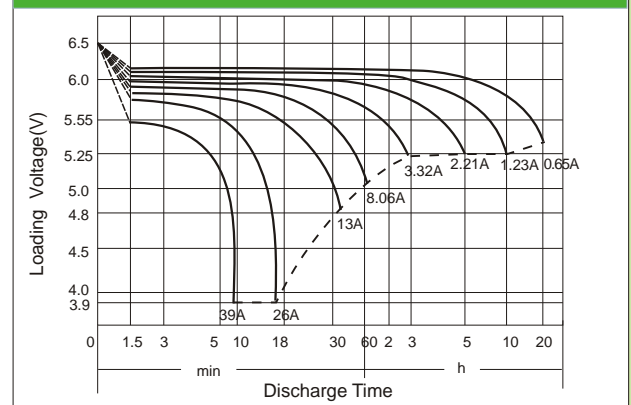
Physical Specification		
Nominal Voltage	6V	
Nominal Capacity (20HR)	13AH	
Dimension	Length	108 ± 1mm (4.25 inches)
	Width	71 ± 1mm (2.80 inches)
	Container Height	141 ± 1mm (5.55 inches)
	Total Height (with cover)	141 ± 1mm (5.55 inches)
Weight	Approx 2.4kg (5.30lbs)	
Standard Terminal	/	

Discharging Current & Discharge Duration Time



Electrical Specification					
Rated Capacity	20 hour rate (0.65 A)	13AH	Constant-Voltage	Cycle	Initial Charging Current less than 3.9A. Voltage 7.20V~7.50V at 25°C (77°F) Temp. Coefficient -15mV/°C
	10 hour rate (1.22 A)	12.2AH			
	5 hour rate (2.21 A)	11.5AH			
	1 hour rate (8.06 A)	8.06AH			
	15minute rate (25.5 A)	6.38AH	Charge	Standby	No limit on Initial Charging Current Voltage 6.75V~6.90V at 25°C (77°F) Temp. Coefficient -10mV/°C
Capacity affected by Temperature	40C (104F)	103%			
	25C (77F)	100%			
	0C (32F)	86%			

Discharge Characteristics (25°C, 77°F)



Constant Current (Amp) and Constant Power (Watt) Discharge Table (25°C, 77°F)

Time(minute) Final voltage/Cell	5	10	15	20	30	45	60	120	180	300	600	1200
Amp/Watt/Cell	1.3	1.3	1.3	1.3	1.6	1.6	1.67	1.7	1.75	1.75	1.75	1.8
A	52.00	37.05	25.48	20.80	14.95	10.40	8.06	4.55	3.32	2.21	1.22	0.65
W	93.08	69.68	48.49	40.69	29.38	20.67	15.99	9.05	6.59	4.42	2.44	1.31