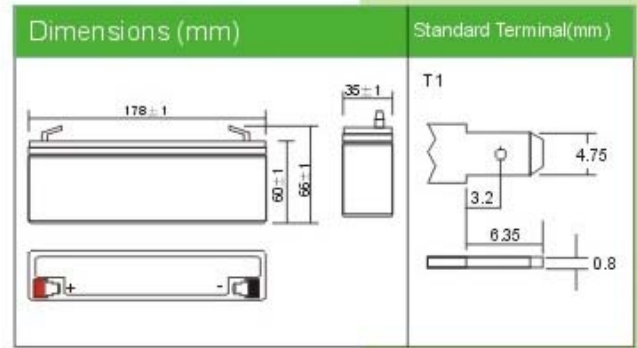
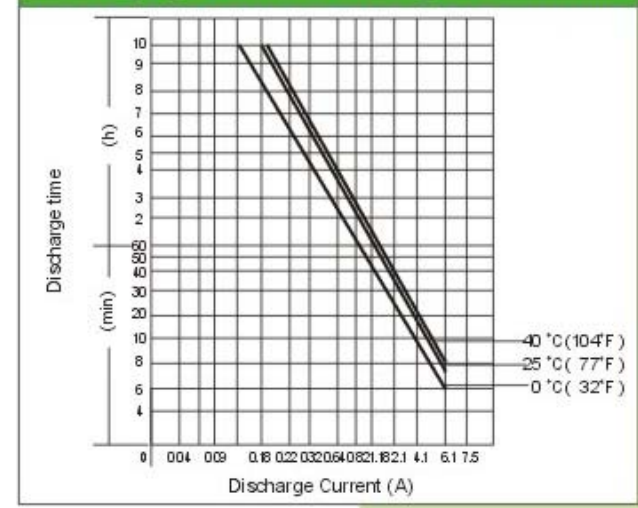




DJW12-2.1(12V2.1AH)



Discharging Current & Discharge Duration Time



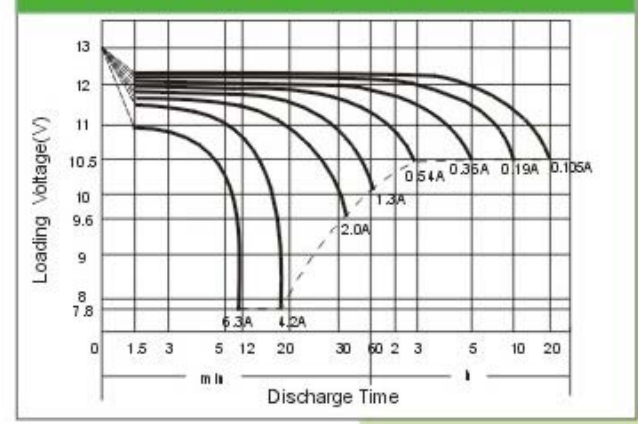
Physical Specification

Nominal Voltage		12V
Nominal Capacity (20HR)		2.1AH
Dimension	Length	178 ± 1mm (7.00 inches)
	Width	35 ± 1mm (1.38 inches)
	Container Height	60 ± 1mm (2.36 inches)
	Total Height (with Terminal)	66 ± 1mm (2.60 inches)
Weight		Approx. 1.0kg (2.20lbs)
Standard Terminal		T1 (standard)

Electrical Specification

Rated Capacity	20 hour rate (105 mA)	2.1AH	Constant Voltage Charge	Cycle	Initial Charging Current less than 0.57A. Voltage 14.4V~ 15.0V at 25°C (77°F) Temp. Coefficient -30mV/C
	10 hour rate (190mA)	1.9AH			
	5 hour rate (360mA)	1.8AH			
	1 hour rate (1.30A)	1.30AH			
	15minute rate (4.12A)	1.03AH			
Capacity affected by Temperature	40°C (104°F)	103%	Standby	No limit on Initial Charging Current Voltage 13.5V-13.8V at 25°C (77°F) Temp. Coefficient -20mV/C	
	25°C (77°F)	100%			
	0°C (32°F)	86%			

Discharge Characteristics (25°C, 77°F)



Constant Current (Amp) and Constant Power (Watt) Discharge Table (25°C, 77°F)

Time(minute) Final voltage/Cell	5	10	15	20	30	45	60	120	180	300	600	1200
Amp/Watt/Cell	1.3	1.3	1.3	1.3	1.6	1.6	1.67	1.7	1.75	1.75	1.75	1.8
A	8.40	5.99	4.12	3.36	2.42	1.68	1.30	0.74	0.54	0.36	0.19	0.105
W	15.04	11.26	7.83	6.57	4.75	3.34	2.58	1.46	1.06	0.71	0.38	0.21