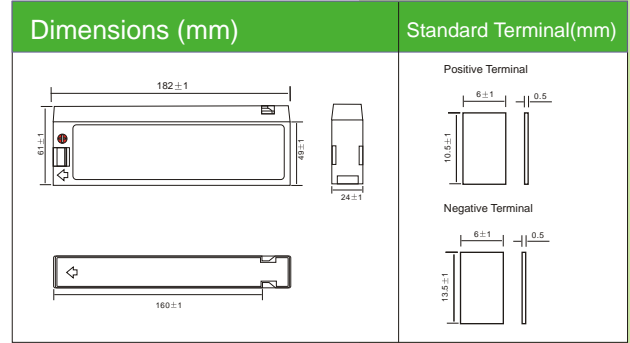
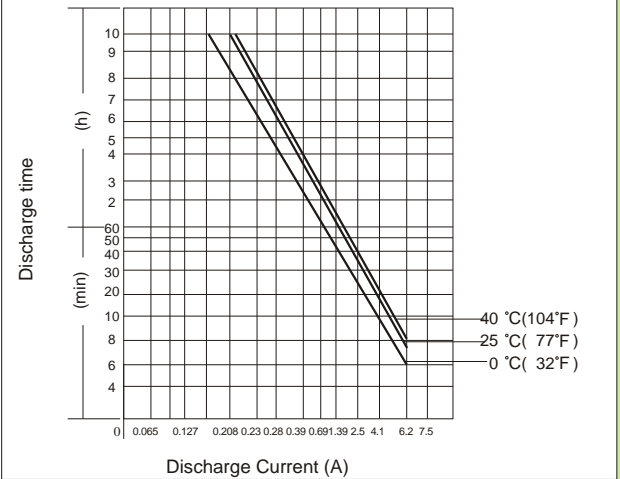




DJW12-2.3C(12V2.3AH)

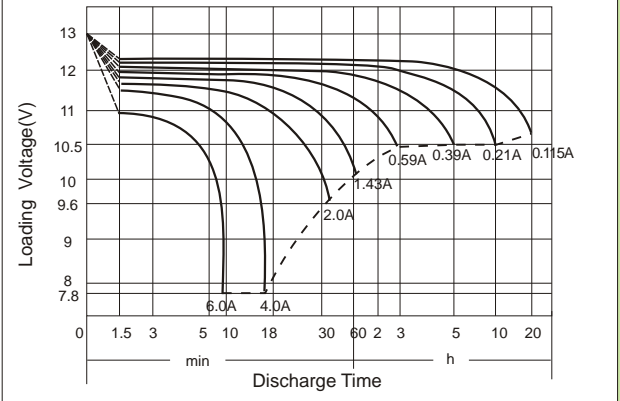


Discharging Current & Discharge Duration Time



Physical Specification		
Nominal Voltage		12V
Nominal Capacity (20HR)		2.3AH(C)
Dimension	Length	182±1mm (7.17 inches)
	Width	24±1mm (0.94 inches)
	Container Height	61±1mm (2.40 inches)
	Total Height (with Terminal)	61±1mm (2.40 inches)
Weight		Approx. 0.7kg (1.54lbs)
Standard Terminal		/

Discharge Characteristics (25°C, 77°F)



Electrical Specification					
Rated Capacity	20 hour rate (0.115 A)	2.3AH	Constant-Voltage Charge	Cycle	Initial Charging Current less than 0.69A. Voltage 14.4V- 15.0V at 25°C (77°F) Temp. Coefficient -30mV/°C
	10 hour rate (0.21A)	2.1AH			
	5 hour rate (0.39A)	1.95AH			
	1 hour rate (1.43 A)	1.43AH			
	15minute rate (4.51A)	1.50AH			
Capacity affected by Temperature	40C (104F)	103%	Standby	No limit on Initial Charging Current Voltage 13.5V-13.8V at 25°C (77°F) Temp. Coefficient - 20mV/°C	
	25C (77°F)	100%			
	0C (32°F)	86%			

Constant Current (Amp) and Constant Power (Watt) Discharge Table (25°C, 77°F)

Time(minute) Final voltage/Cell	5	10	15	20	30	45	60	120	180	300	600	1200
Amp/Watt/Cell	1.3	1.3	1.3	1.3	1.6	1.6	1.67	1.7	1.75	1.75	1.75	1.8
A	9.20	6.56	4.51	3.68	2.65	2.00	1.43	0.81	0.59	0.39	0.21	0.115
W	16.47	12.33	8.58	7.20	5.20	3.94	2.83	1.60	1.17	0.78	0.43	0.23