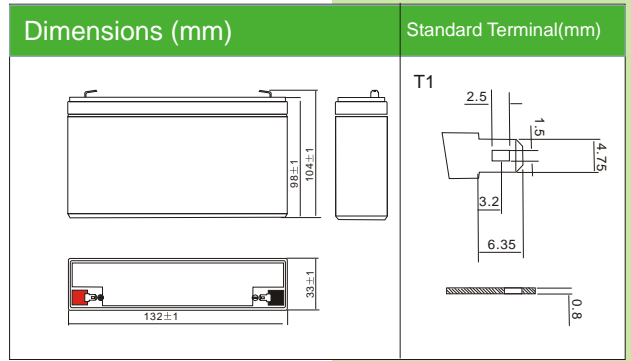
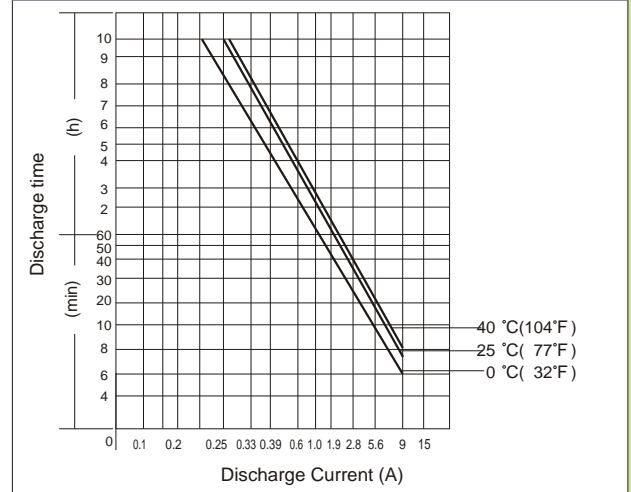




DJW12-2.8(12V2.8AH)

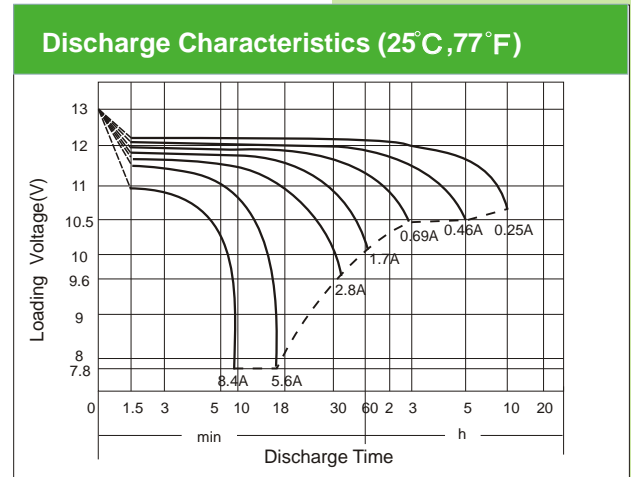


Discharging Current & Discharge Duration Time



Physical Specification		
Nominal Voltage		12V
Nominal Capacity (20HR)		2.8AH
Dimension	Length	132±1mm (5.19 inches)
	Width	33±1mm (1.30 inches)
	Container Height	98±1mm (3.86inches)
	Total Height (with Terminal)	104±1mm (4.09 inches)
Weight		Approx 1.18kg (2.60lbs)
Standard Terminal		T1

Electrical Specification					
Rated Capacity	20 hour rate (140mA)	2.8AH	Constant-Voltage Charge	Cycle	Initial Charging Current less than 0.84A. Voltage 14.4V~ 15.0V at 25°C (77°F) Temp. Coefficient -30mV/°C
	10 hour rate (252mA)	2.5AH			
	5 hour rate (457mA)	2.29AH			
	1 hour rate (1.68A)	1.68AH			
	15minute rate (5.30A)	1.32AH			
Capacity affected by Temperature	40°C (104F)	103%	Standby	No limit on Initial Charging Current Voltage 13.5V~13.8V at 25°C (77°F) Temp. Coefficient - 20mV/°C	
	25°C (77F)	100%			
	0°C (32F)	86%			



Constant Current (Amp) and Constant Power (Watt) Discharge Table (25°C, 77°F)												
Time(minute) Final voltage/Cell	5	10	15	20	30	45	60	120	180	300	600	1200
Amp/Watt/Cell	1.3	1.3	1.3	1.3	1.6	1.6	1.67	1.7	1.75	1.75	1.75	1.8
A	10.82	7.72	5.30	4.30	3.12	2.16	1.68	0.95	0.69	0.46	0.25	0.14
W	19.37	14.50	10.10	8.47	6.11	4.30	3.33	1.88	1.37	0.92	0.50	0.28