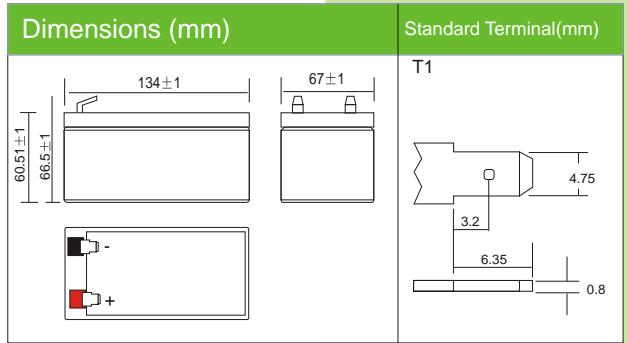
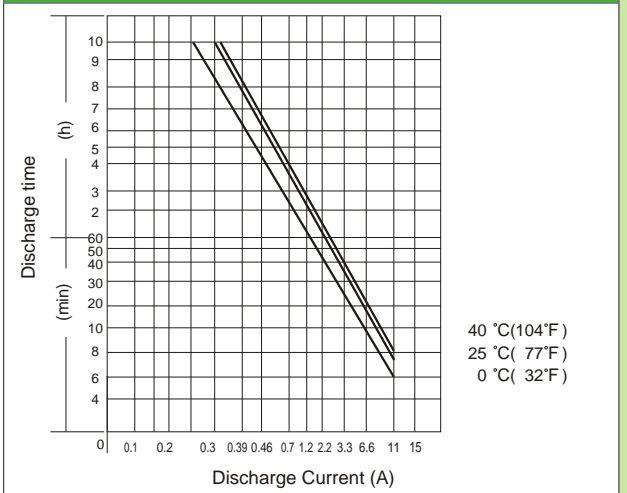




DJW12-3.5(12V3.5AH)

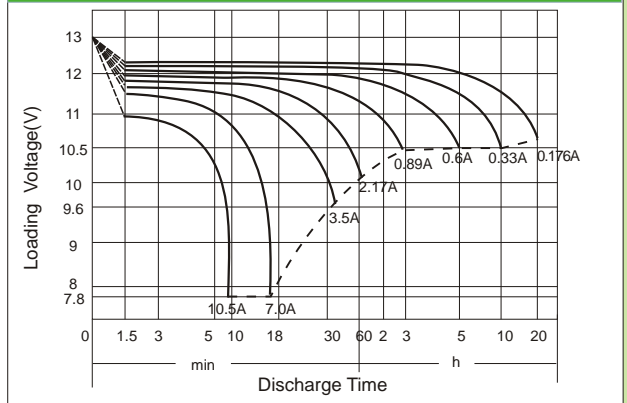


Discharging Current & Discharge Duration Time



Physical Specification		
Nominal Voltage	12V	
Nominal Capacity (20HR)	3.5AH	
Dimension	Length	134 ± 1mm (5.28 inches)
	Width	67 ± 1mm (2.64 inches)
	Container Height	60.5 ± 1mm (2.38 inches)
	Total Height (with Terminal)	66.5 ± 1mm (2.62 inches)
Weight	Approx 1.35kg (2.98lbs)	
Standard Terminal	T1(standard)	

Discharge Characteristics (25°C, 77°F)



Electrical Specification					
Rated Capacity	20 hour rate (176mA)	3.5AH	Constant Voltage	Cycle	Initial Charging Current less than 1.05A. Voltage 14.4V- 15.0V at 25°C (77°F) Temp. Coefficient -30mV/C
	10 hour rate (330mA)	3.3AH			
	5 hour rate (600mA)	3.0AH			
	1 hour rate (2.17A)	2.17AH			
Capacity affected by Temperature	15minute rate (6.86A)	1.71AH	Charge	Standby	No limit on Initial Charging Current Voltage 13.5V-13.8V at 25°C (77°F) Temp. Coefficient - 20mV/C
	40C (104F)	103%			
	25C (77F)	100%			
	0C (32F)	86%			

Constant Current (Amp) and Constant Power (Watt) Discharge Table (25°C, 77°F)

Time(minute) Final voltage/Cell	Amp/Watt/Cell												
	5	10	15	20	30	45	60	120	180	300	600	1200	
A	1.3	1.3	1.3	1.3	1.6	1.6	1.67	1.7	1.75	1.75	1.75	1.8	
W	14.00	9.98	6.86	5.60	4.03	2.80	2.17	1.23	0.89	0.60	0.33	0.176	
	25.06	18.76	13.06	10.96	7.91	5.57	4.31	2.44	1.77	1.19	0.65	0.352	