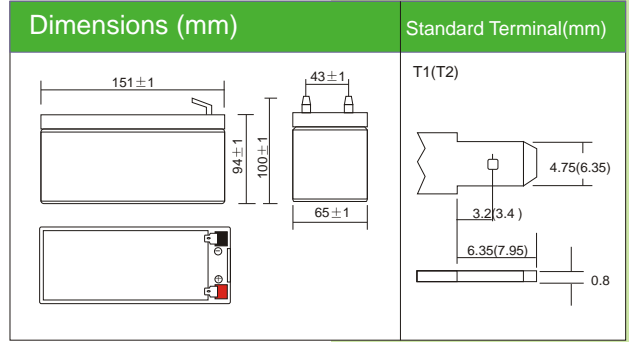
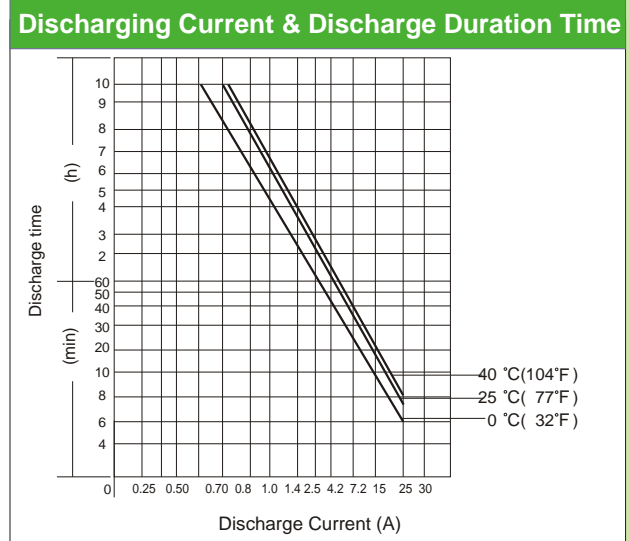




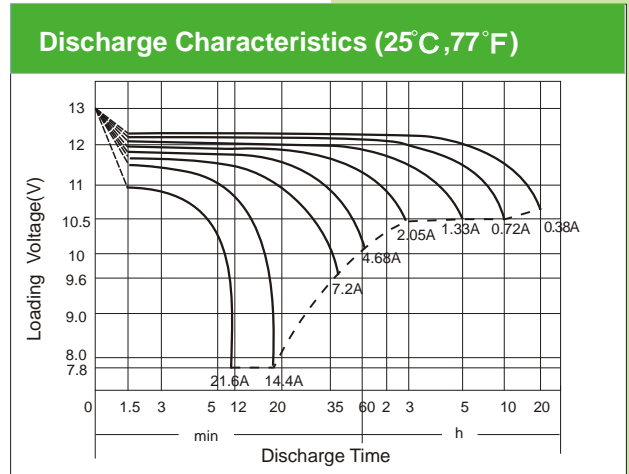
# DJW12-7.2(12V7.6AH)



Physical Specification		
Nominal Voltage		12V
Nominal Capacity (20HR)		7.6AH
Dimension	Length	151 ± 1mm (5.95 inches)
	Width	65 ± 1mm (2.56 inches)
	Container Height	94 ± 1mm (3.70 inches)
	Total Height (with Terminal)	100 ± 1mm (3.94 inches)
Weight		Approx 2.6kg (5.73lbs)
Standard Terminal		T1/T2(standard)



Electrical Specification					
Rated Capacity	20 hour rate (380mA)	7.6AH	Constant-Voltage	Cycle	Initial Charging Current less than 2.16A. Voltage 14.4V~ 15.0V at 25°C (77°F) Temp. Coefficient -30mV/C
	10 hour rate (720mA)	7.2AH			
	5 hour rate (1.33 A)	6.65AH			
	1 hour rate (4.68A)	4.68AH			
	15minute rate (14.4A)	3.6AH			
Capacity affected by Temperature	40°C (104°F)	103%	Charge	Standby	No limit on Initial Charging Current Voltage 13.5V~13.8V at 25°C (77°F) Temp. Coefficient - 20mV/C
	25°C (77°F)	100%			
	0°C (32°F)	86%			



### Constant Current (Amp) and Constant Power (Watt) Discharge Table (25°C, 77°F)

Time(minute) Final voltage/Cell	5	10	15	20	30	45	60	120	180	300	600	1200
Amp/Watt/Cell	1.3	1.3	1.3	1.3	1.6	1.6	1.67	1.7	1.75	1.75	1.75	1.8
A	35.28	21.60	14.40	12.38	9.00	6.48	4.68	2.81	2.05	1.33	0.72	0.38
W	59.76	41.11	27.94	24.34	17.78	12.89	9.29	5.62	4.03	2.66	1.44	0.76