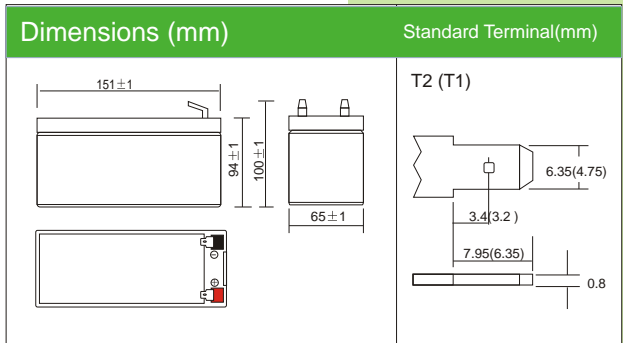
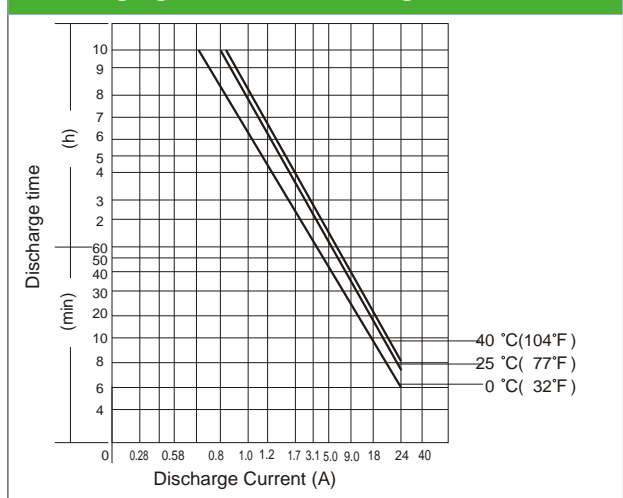




DJW12-8.0(12V8.5AH)



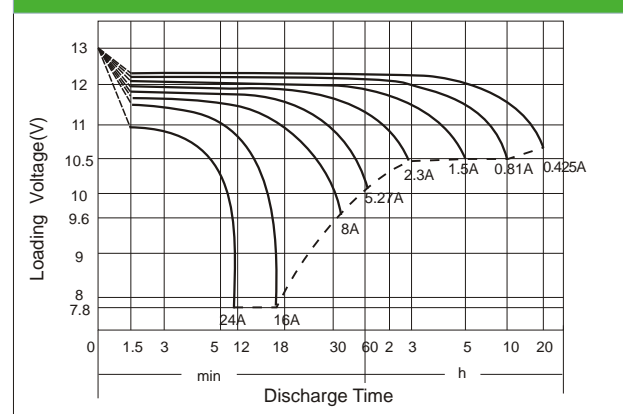
Discharging Current & Discharge Duration Time



Physical Specification

| | | |
|-------------------------|------------------------------|-------------------------|
| Nominal Voltage | | 12V |
| Nominal Capacity (20HR) | | 8.0AH |
| Dimension | Length | 151 ± 1mm (5.95 inches) |
| | Width | 65 ± 1mm (2.56 inches) |
| | Container Height | 94 ± 1mm (3.70 inches) |
| | Total Height (with Terminal) | 100 ± 1mm (3.94 inches) |
| Weight | | Approx 2.75kg (6.06lbs) |
| Standard Terminal | | T2/T1 (standard) |

Discharge Characteristics (25°C, 77°F)



Electrical Specification

| | | | | | |
|----------------------------------|-----------------------|--------|-------------------------|---|---|
| Rated Capacity | 20 hour rate (425mA) | 8.5AH | Constant-Voltage Charge | Cycle | Initial Charging Current less than 2.4A. Voltage 14.4V~ 15.0V at 25°C (77°F) Temp. Coefficient -30mV/°C |
| | 10 hour rate (810mA) | 8.1AH | | | |
| | 5 hour rate (1.50A) | 7.5AH | | | |
| | 1 hour rate (5.27A) | 5.27AH | | | |
| Capacity affected by Temperature | 15minute rate (17.5A) | 4.38AH | Standby | No limit on Initial Charging Current Voltage 13.5V~13.8V at 25°C (77°F) Temp. Coefficient - 20mV/°C | |
| | 40°C (104F) | 103% | | | |
| | 25°C (77F) | 100% | | | |
| | 0°C (32F) | 86% | | | |

Constant Current (Amp) and Constant Power (Watt) Discharge Table (25°C, 77°F)

| Time(minute) Final voltage/Cell | 5 | 10 | 15 | 20 | 30 | 45 | 60 | 120 | 180 | 300 | 600 | 1200 |
|---------------------------------|-------|-------|------|-------|-------|-------|-------|------|------|------|------|-------|
| Amp/Watt/Cell | 1.3 | 1.3 | 1.3 | 1.3 | 1.6 | 1.6 | 1.67 | 1.7 | 1.75 | 1.75 | 1.75 | 1.8 |
| A | 39.69 | 24.30 | 17.5 | 13.93 | 10.13 | 7.29 | 5.27 | 3.16 | 2.31 | 1.50 | 0.81 | 0.425 |
| W | 67.23 | 46.25 | 35.0 | 27.38 | 20.01 | 14.50 | 10.45 | 6.32 | 4.54 | 3.00 | 1.62 | 0.86 |