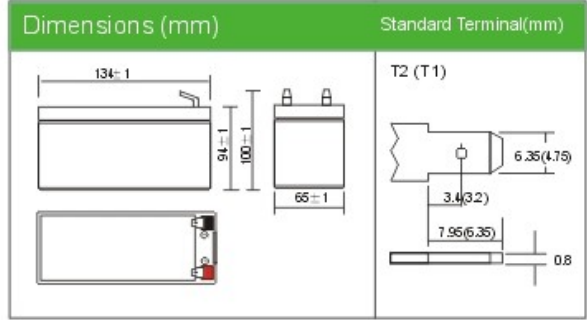
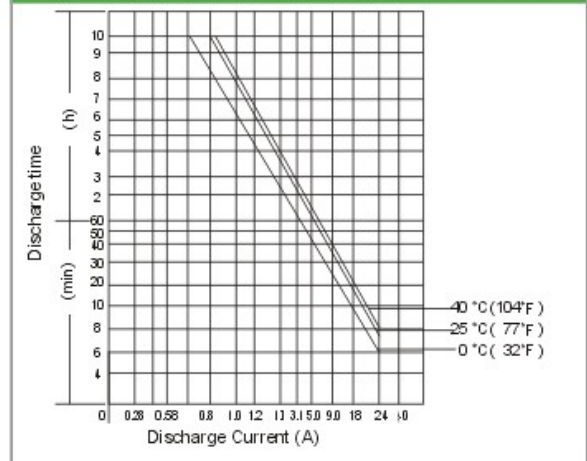




DJW12-9.0(12V9.0AH)



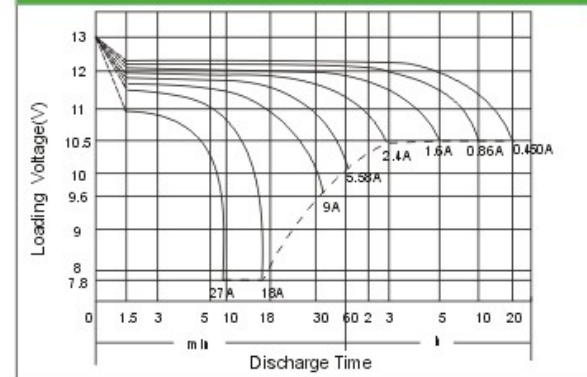
Discharging Current & Discharge Duration Time



Physical Specification		
Nominal Voltage		12V
Nominal Capacity (20HR)		9.0AH
Dimension	Length	151 ± 1mm (5.95 inches)
	Width	65 ± 1mm (2.56 inches)
	Container Height	94 ± 1mm (3.70 inches)
	Total Height (with Terminal)	100 ± 1mm (3.94 inches)
Weight		Approx 2.75kg (6.06lbs)
Standard Terminal		T2/T1(standard)

Electrical Specification					
Rated Capacity	20 hour rate (450mA)	9.0AH	Constant Voltage	Cycle	Initial Charging Current less than 2.7A. Voltage 14.4V-15.0V at 25°C (77°F) Temp. Coefficient -30mV/C
	10 hour rate (858mA)	8.6AH			
	5 hour rate (1.50A)	7.9AH			
	1 hour rate (5.58A)	5.58AH			
	15minute rate (18.5A)	4.64AH			
Capacity affected by Temperature	40°C (104°F)	103%	Charge	Standby	No limit on Initial Charging Current Voltage 13.5V-13.8V at 25°C (77°F) Temp. Coefficient -20mV/C
	25°C (77°F)	100%			
	0°C (32°F)	86%			

Discharge Characteristics (25°C, 77°F)



Constant Current (Amp) and Constant Power (Watt) Discharge Table (25°C, 77°F)

Time (minute) / Final voltage / Cell	Constant Current (Amp) and Constant Power (Watt) Discharge Table (25°C, 77°F)											
	5	10	15	20	30	45	60	120	180	300	600	1200
Amp/Watt/Cell	1.3	1.3	1.3	1.3	1.6	1.6	1.67	1.7	1.75	1.75	1.75	1.8
A	39.69	24.30	17.5	13.93	10.13	7.29	5.27	3.16	2.31	1.50	0.81	0.425
W	67.23	46.25	35.0	27.38	20.01	14.50	10.45	6.32	4.54	3.00	1.62	0.86