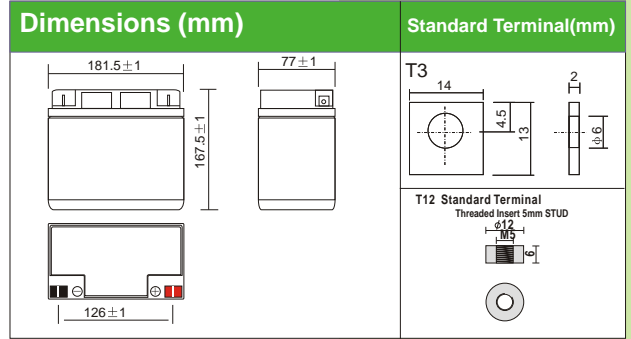
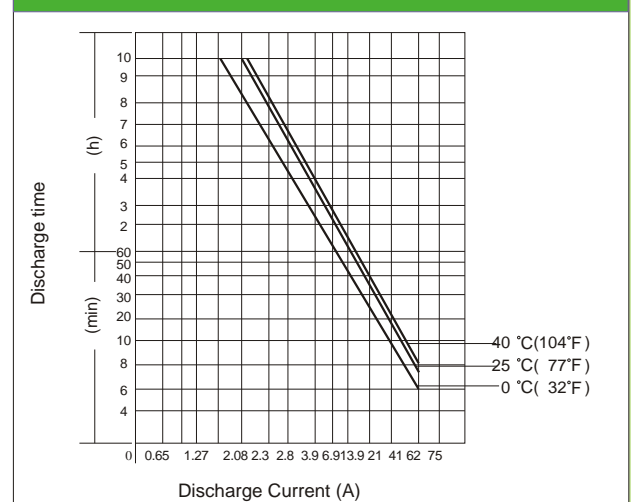




DJW12-20(12V21AH)

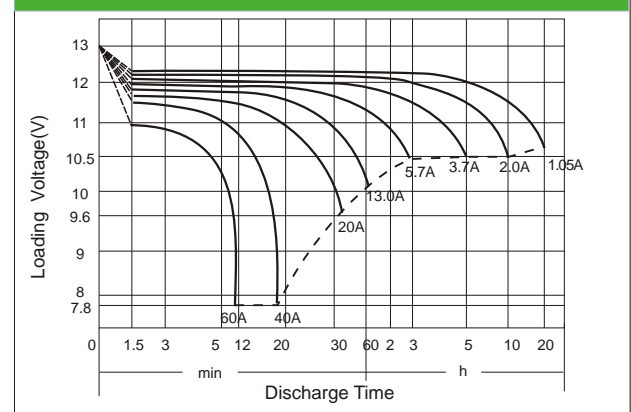


Discharging Current & Discharge Duration Time



Physical Specification		
Nominal Voltage	12V	
Nominal Capacity (20HR)	21AH	
Dimension	Length	181.5±1mm (7.14 inches)
	Width	77±1mm (3.03 inches)
	Container Height	167.5±1mm (6.59 inches)
	Total Height (with Cover)	167.5±1mm (6.59inches)
Weight	Approx 6kg (13.3lbs)	
Standard Terminal	T3/T12(standard)	

Discharge Characteristics (25°C, 77°F)



Electrical Specification					
Rated Capacity	20 hour rate (1.05 A)	21AH	Constant-Voltage	Cycle	Initial Charging Current less than 6.0A. Voltage 14.4V~ 15.0V at 25°C (77°F) Temp. Coefficient -30mV/°C
	10 hour rate (2.0 A)	20AH			
	5 hour rate (3.7 A)	18.5AH			
	1 hour rate (13 A)	13.0AH			
Capacity affected by Temperature	15minute rate (40 A)	10.0AH	Charge	Standby	No limit on Initial Charging Current Voltage 13.5V-13.8V at 25°C (77°F) Temp. Coefficient -20mV/°C
	40°C (104F)	103%			
	25°C (77F)	100%			
	0°C (32F)	86%			

Constant Current (Amp) and Constant Power (Watt) Discharge Table (25°C, 77°F)

Time(minute) Final voltage/Cell	5	10	15	20	30	45	60	120	180	300	600	1200
Amp/Watt/Cell	1.3	1.3	1.3	1.3	1.6	1.6	1.67	1.7	1.75	1.75	1.75	1.8
A	98.00	60.00	40.00	34.40	25.00	18.00	13.00	7.80	5.70	3.70	2.00	1.05
W	166.00	114.20	77.60	67.60	49.40	35.80	25.80	15.60	11.20	7.40	4.00	2.12