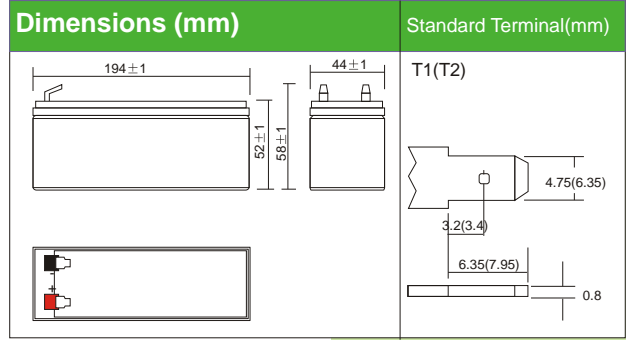
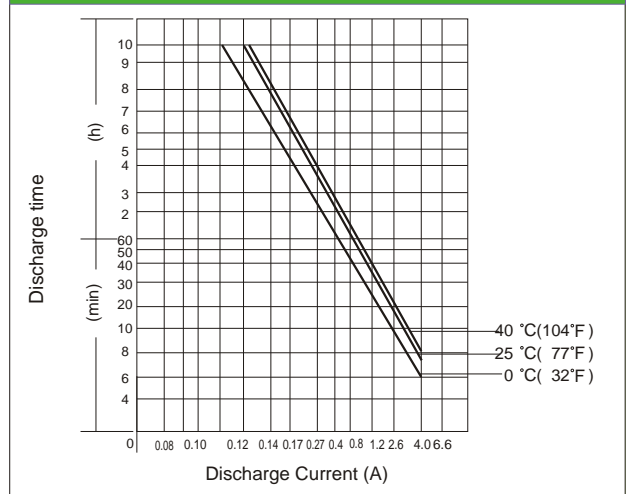




DJW24-1.3(24V1.4AH)

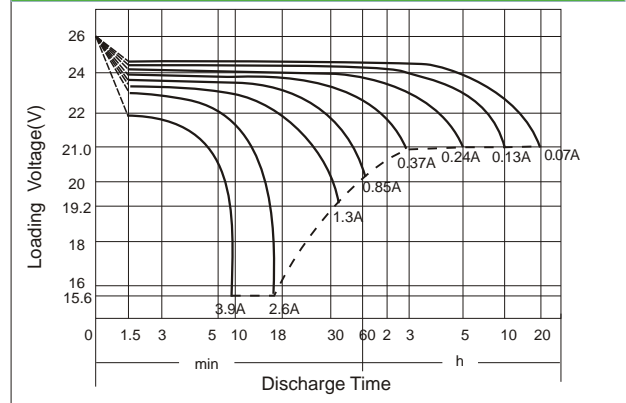


Discharging Current & Discharge Duration Time



Physical Specification		
Nominal Voltage		24V
Nominal Capacity (20HR)		1.4AH
Dimension	Length	194 ± 1mm (7.64 inches)
	Width	44 ± 1mm (1.73 inches)
	Container Height	52 ± 1mm (2.05 inches)
	Total Height (with Terminal)	58 ± 1mm (2.28 inches)
Weight		Approx 1.3kg (2.87lbs)
Standard Terminal		T1/T2(standard)

Discharge Characteristics (25°C, 77°F)



Electrical Specification					
Rated Capacity	20 hour rate (70 mA)	1.4AH	Constant-Voltage Charge	Cycle	Initial Charging Current less than 0.36A. Voltage 28.8V-30.0V at 25°C (77°F) Temp. Coefficient -60mV/°C
	10 hour rate (130mA)	1.3AH			
	5 hour rate (240mA)	1.2AH			
	1 hour rate (850mA)	0.85AH			
Capacity affected by Temperature	15minute rate (2.6 A)	0.65AH	Standby	No limit on Initial Charging Current Voltage 27.0V-27.6V at 25°C (77°F) Temp. Coefficient -40mV/°C	
	40C (104F)	103%			
	25C (77F)	100%			
0C (32F)	86%				

Constant Current (Amp) and Constant Power (Watt) Discharge Table (25°C, 77°F)

Time(minute) Final voltage/Cell Amp/Watt/Cell	5	10	15	20	30	45	60	120	180	300	600	1200
A	6.37	3.90	2.60	2.24	1.63	1.17	0.85	0.51	0.37	0.24	0.13	0.07
W	10.79	7.42	5.04	4.39	3.21	2.33	1.68	1.01	0.73	0.48	0.26	0.14