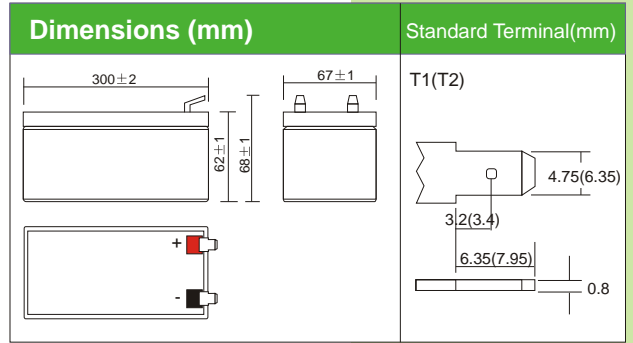


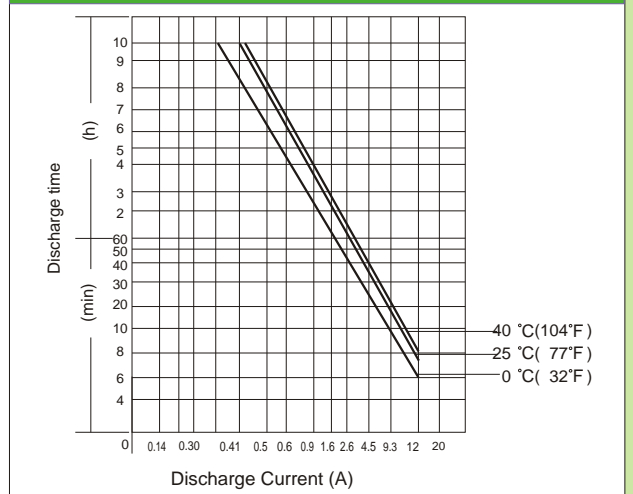


# DJW24-4.0(24V4.0AH)



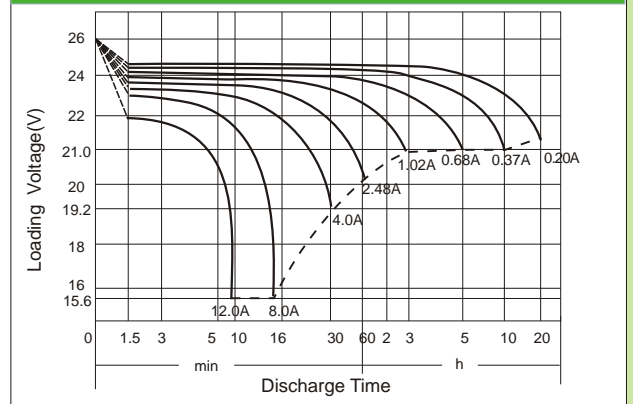
Physical Specification		
Nominal Voltage		24V
Nominal Capacity (20HR)		4.0AH
Dimension	Length	300±2mm (11.81 inches)
	Width	67±1mm (2.64 inches)
	Container Height	62±1mm (2.44 inches)
	Total Height (with Terminal)	68±1mm (2.68 inches)
Weight		Approx 3.1kg (6.84lbs)
Standard Terminal		T1/T2 (standard)

## Discharging Current & Discharge Duration Time



Electrical Specification					
Rated Capacity	20 hour rate (200mA)	4.0AH	Constant-Voltage	Cycle	Initial Charging Current less than 1.2A. Voltage 28.8V~30.0V at 25°C (77°F) Temp. Coefficient -60mV/C
	10 hour rate (370mA)	3.7AH			
	5 hour rate (680mA)	3.4AH			
	1 hour rate (2.48 A)	2.48AH			
	15minute rate (7.84A)	1.96AH			
Capacity affected by Temperature	40C (104F)	103%	Charge	Standby	No limit on Initial Charging Current Voltage 27.0V~27.6V at 25°C (77°F) Temp. Coefficient -40mV/C
	25C (77F)	100%			
	0C (32F)	86%			

## Discharge Characteristics (25°C, 77°F)



## Constant Current (Amp) and Constant Power (Watt) Discharge Table (25°C, 77°F)

Time(minute) Final voltage/Cell	5	10	15	20	30	45	60	120	180	300	600	1200
Amp/Watt/Cell	1.3	1.3	1.3	1.3	1.6	1.6	1.67	1.7	1.75	1.75	1.75	1.8
A	16.00	11.40	7.84	6.40	4.60	3.20	2.48	1.40	1.02	0.68	0.37	0.20
W	28.64	21.44	14.92	12.52	9.04	6.36	4.92	2.78	2.03	1.36	0.74	0.40