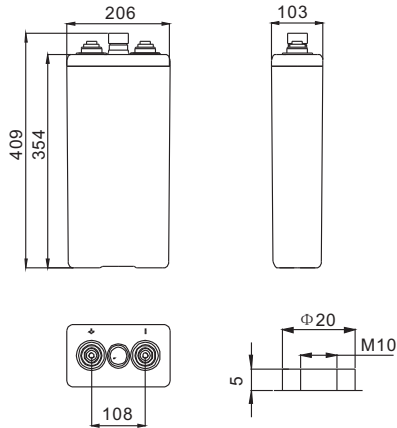


CFPS2200 2V200Ah

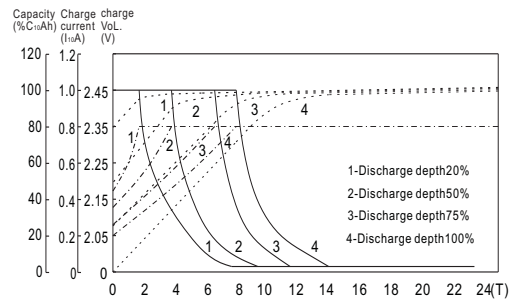
Dimension



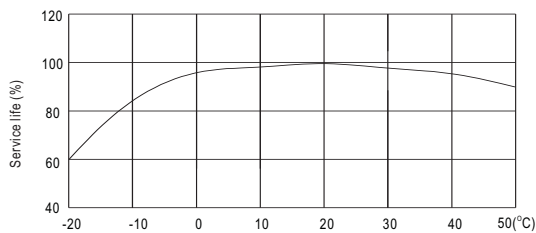
Specification

Nominal Voltage		2 V
Capacity(10HR, 25°C)		200 Ah
Dimension	Length	103mm
	Width	206mm
	Height	354mm
	Total Height	409mm
Approx.mass(without electrolyte)		13.2kg
Approx.mass(with electrolyte)		17.2kg

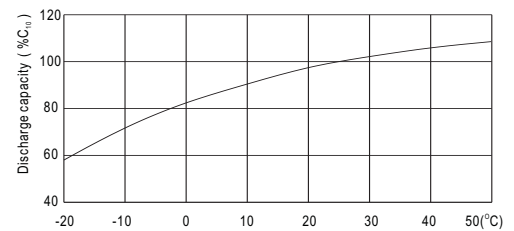
Charge characteristic curve(20°C)



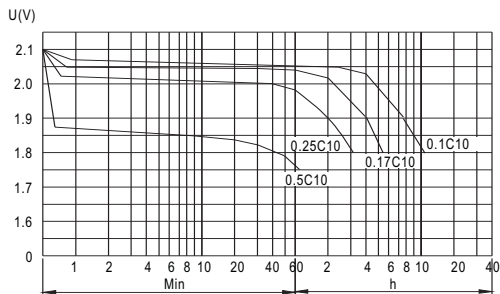
Relation curves of service life and ambient temperature



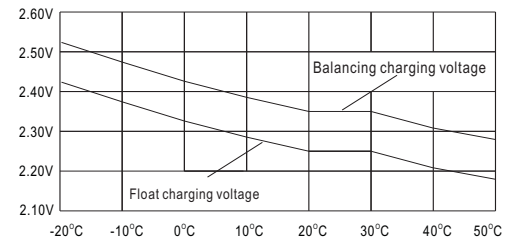
Discharge capacity Vs ambient temperature curve (I10A)



Characteristic curves at different discharge rate (20°C)



Charge voltage Vs ambient temperature curve



	1hr cut-off voltage 1.67V	3hr cut-off voltage 1.75V	5hr cut-off voltage 1.77V	10hr cut-off voltage 1.80V	24hr cut-off voltage 1.85V	48hr cut-off voltage 1.85V	72hr cut-off voltage 1.85V	96hr cut-off voltage 1.85V	120hr cut-off voltage 1.85V	240hr cut-off voltage 1.85V
Capacity Ah	106	150	172	200	250	268	280	282	284	295